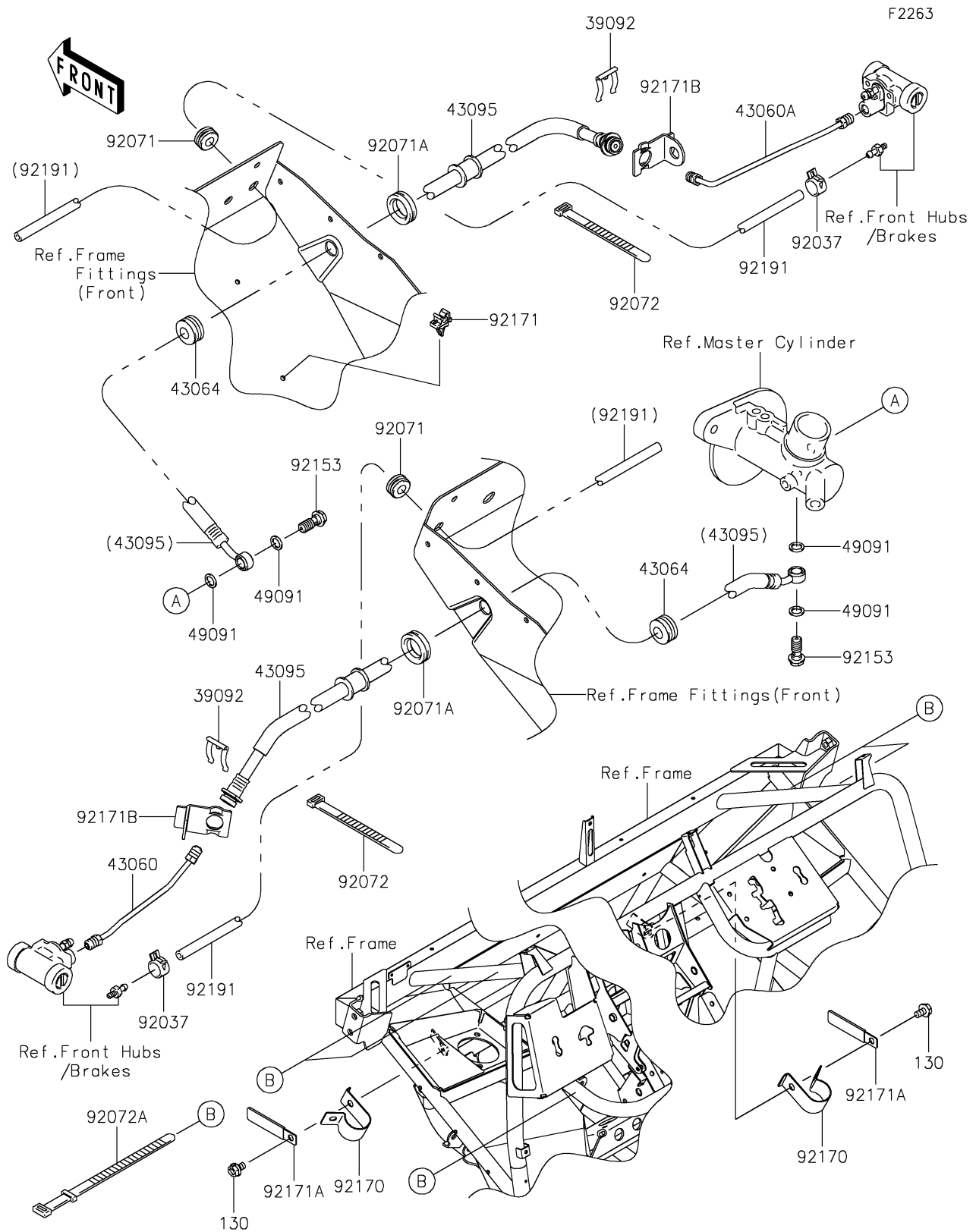


# 2025 MULE SX™ 4x4 FE

## PARTS DIAGRAM

### Front Brake Piping



# 2025 MULE SX™ 4x4 FE

## PARTS LIST

### Front Brake Piping



**ITEM NAME**

**PART NUMBER**

**QUANTITY**

---