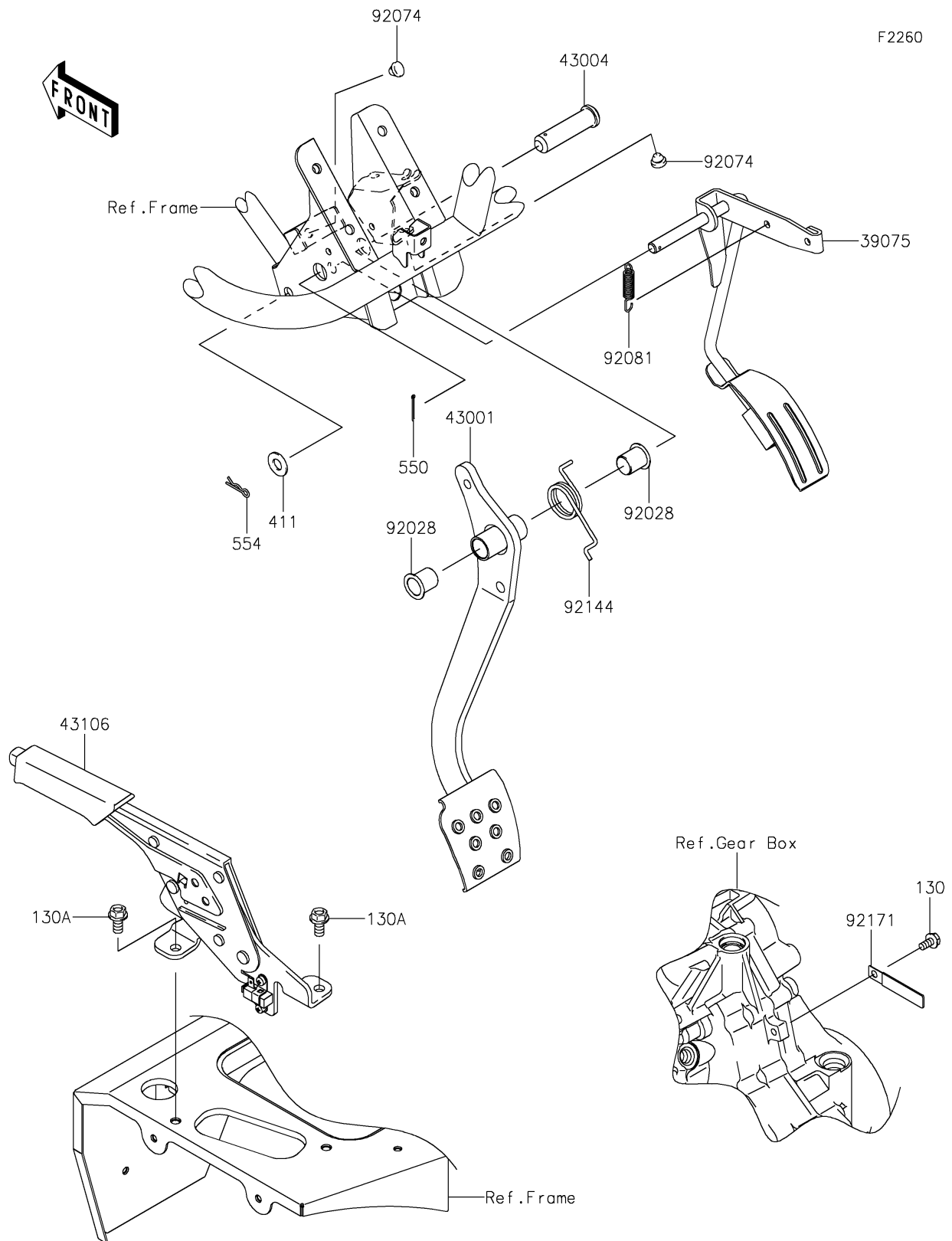


# 2025 MULE SX™ 4x4 FE

## PARTS DIAGRAM

### Brake Pedal/Throttle Lever



# 2025 MULE SX™ 4x4 FE

## PARTS LIST

### Brake Pedal/Throttle Lever

ITEM NAME	PART NUMBER	QUANTITY
-----------	-------------	----------

---