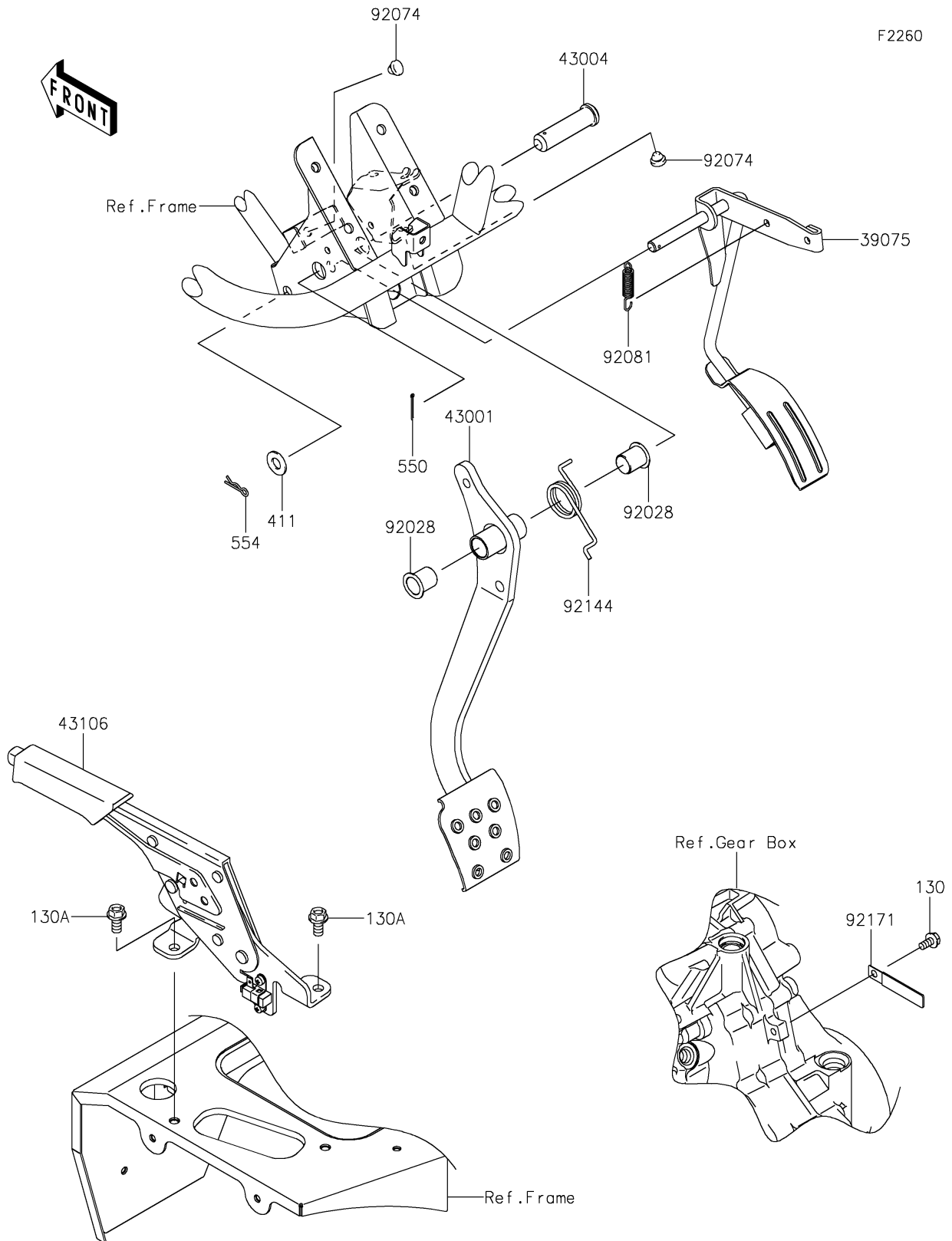


2024 MULE SX™ 4x4 FE

PARTS DIAGRAM

Brake Pedal/Throttle Lever



2024 MULE SX™ 4x4 FE

PARTS LIST

Brake Pedal/Throttle Lever

ITEM NAME	PART NUMBER	QUANTITY
-----------	-------------	----------
