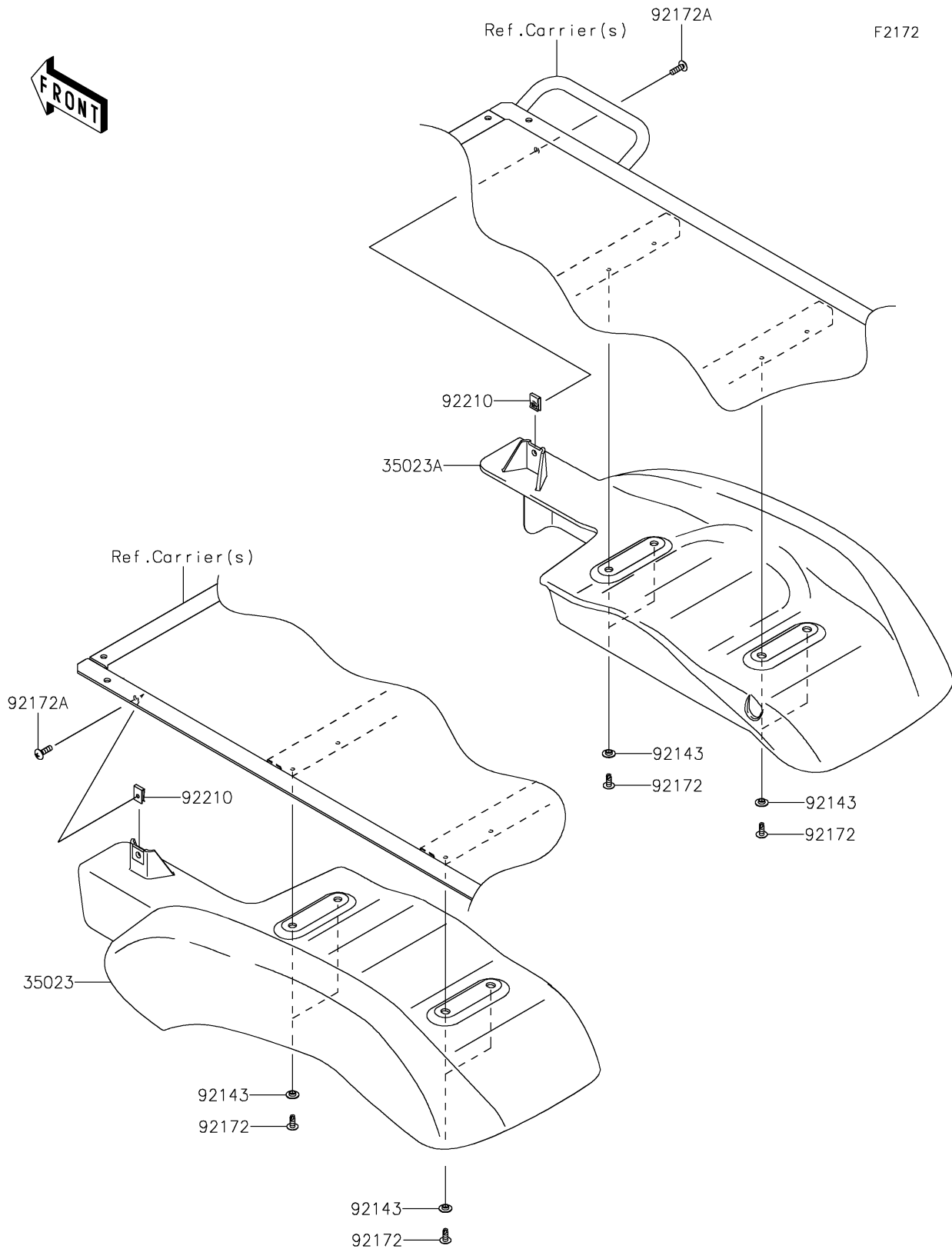


# 2025 MULE SX™ 4x4 FE

## PARTS DIAGRAM

### Rear Fender(s)



# 2025 MULE SX™ 4x4 FE

## PARTS LIST

Rear Fender(s)

ITEM NAME	PART NUMBER	QUANTITY
-----------	-------------	----------

---