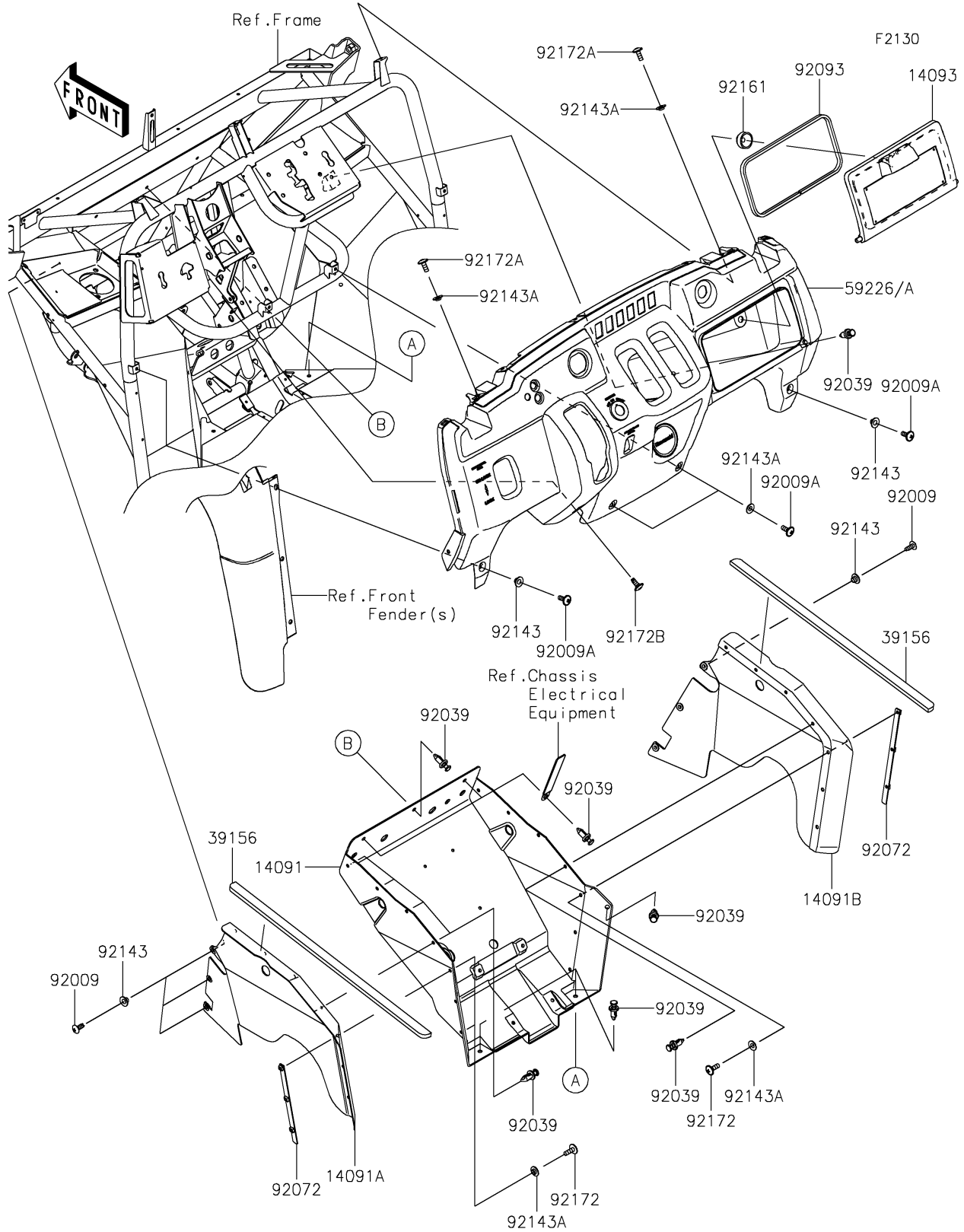


# 2024 MULE SX™ 4x4 FE

## PARTS DIAGRAM

### Frame Fittings(Front)



# 2024 MULE SX™ 4x4 FE

## PARTS LIST

### Frame Fittings(Front)

ITEM NAME	PART NUMBER	QUANTITY
-----------	-------------	----------

---