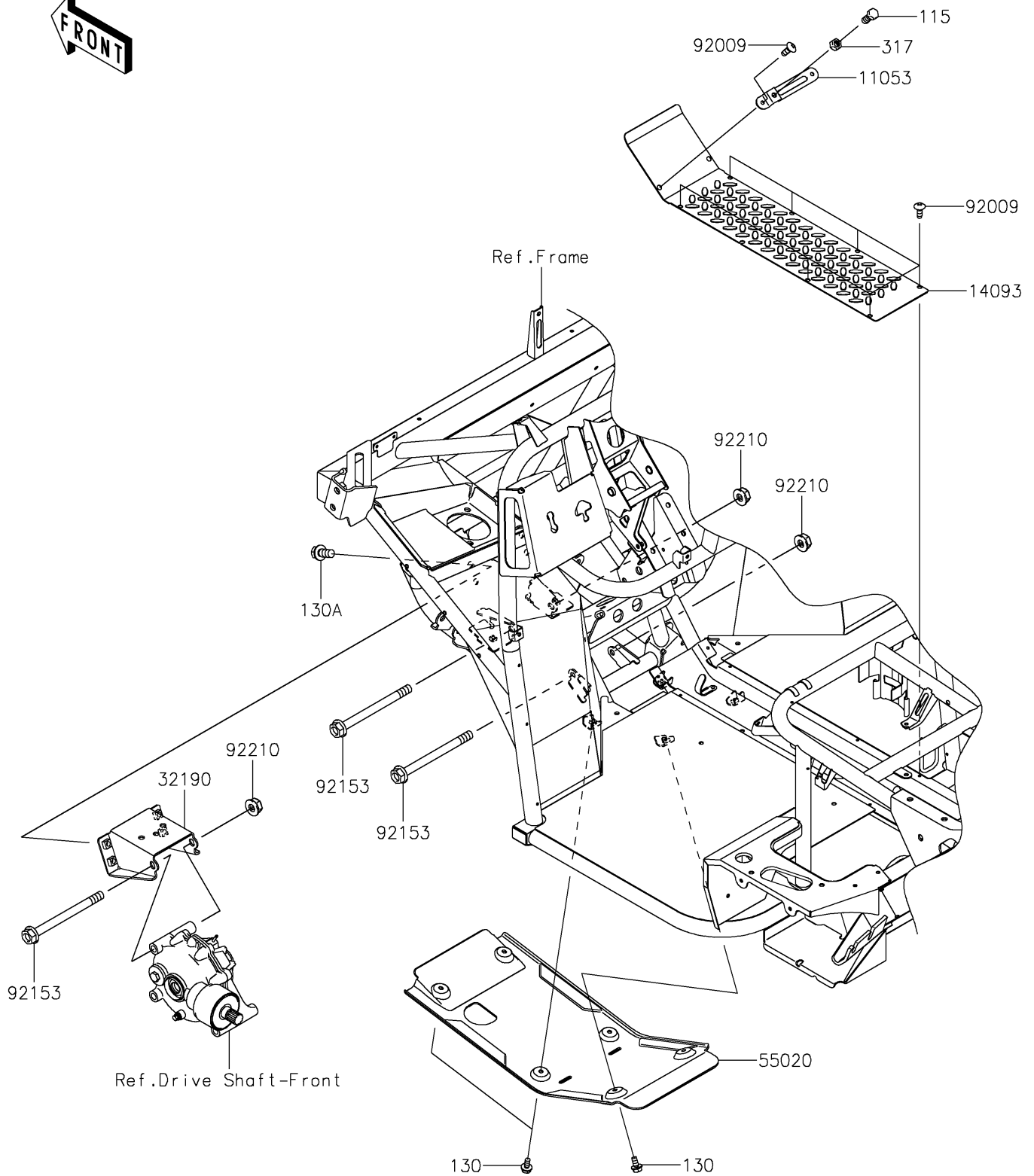


2025 MULE SX™ 4x4 FE

PARTS DIAGRAM

Engine Mount

F2122



2025 MULE SX™ 4x4 FE

PARTS LIST

Engine Mount

ITEM NAME	PART NUMBER	QUANTITY
-----------	-------------	----------
