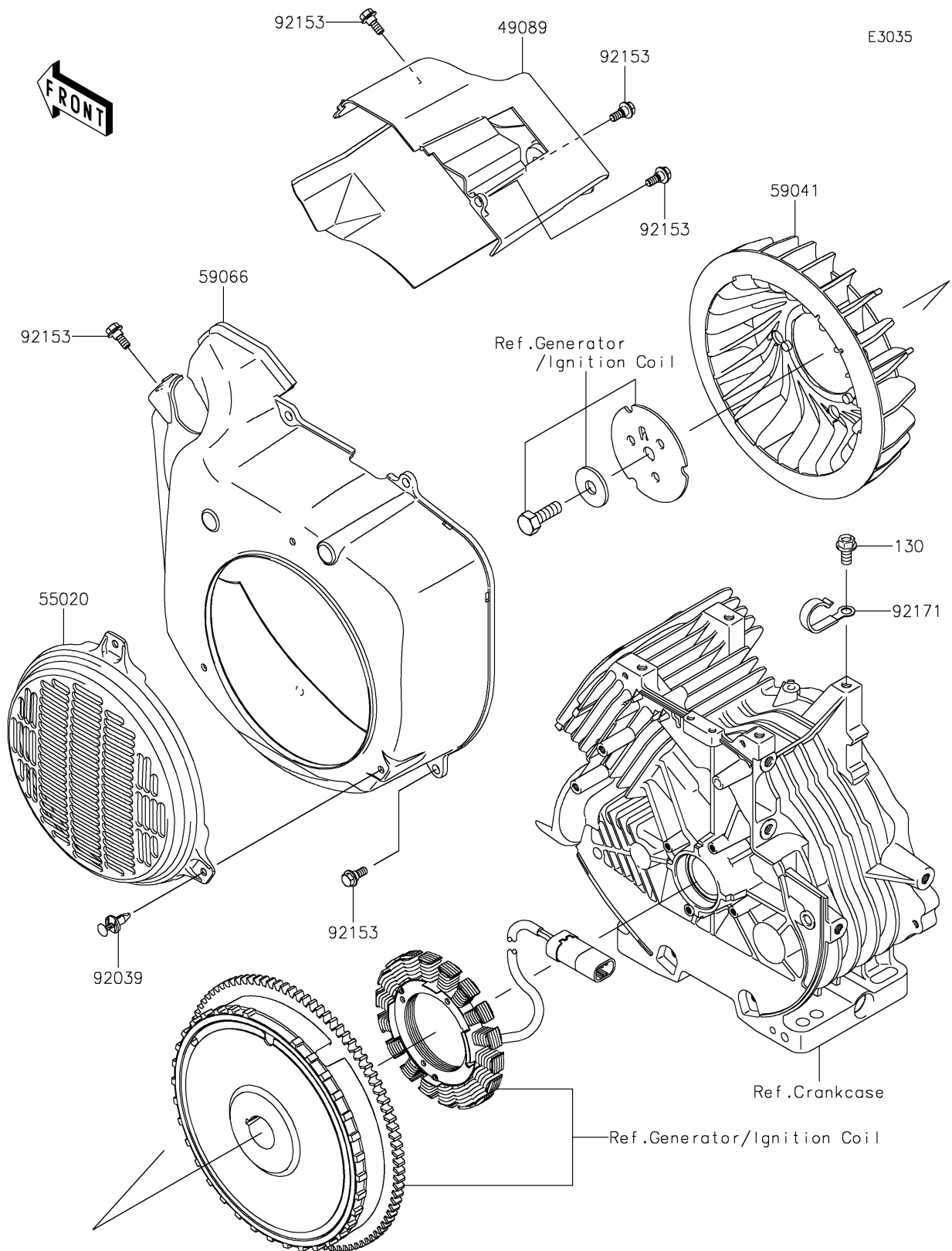


2024 MULE SX™ 4x4 FE

PARTS DIAGRAM

Cooling



2024 MULE SX™ 4x4 FE

PARTS LIST

Cooling

ITEM NAME

PART NUMBER

QUANTITY
