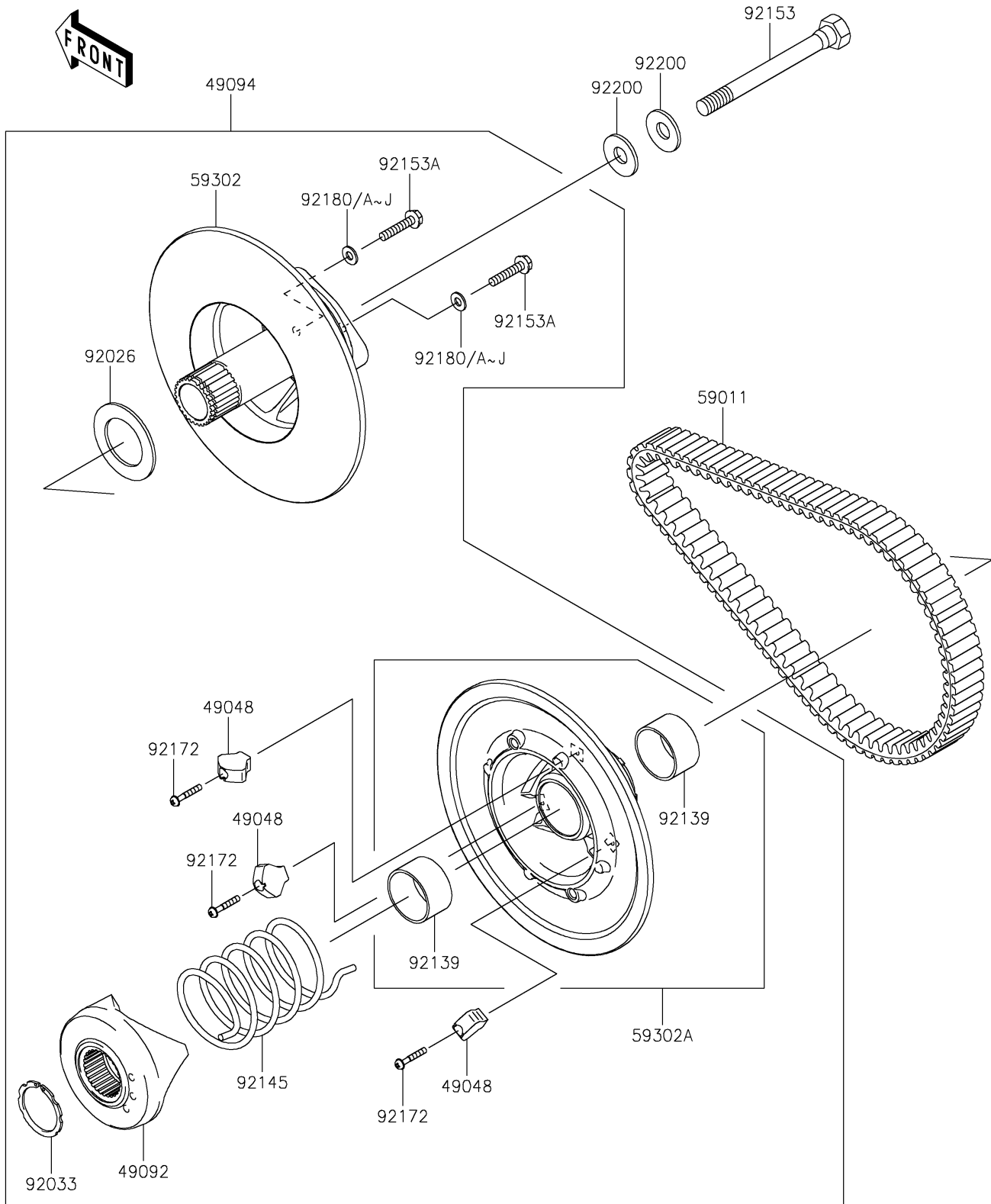


2024 MULE SX™ 4x4 FE

PARTS DIAGRAM

Driven Converter/Drive Belt

E1392



2024 MULE SX™ 4x4 FE

PARTS LIST

Driven Converter/Drive Belt

ITEM NAME	PART NUMBER	QUANTITY
-----------	-------------	----------
