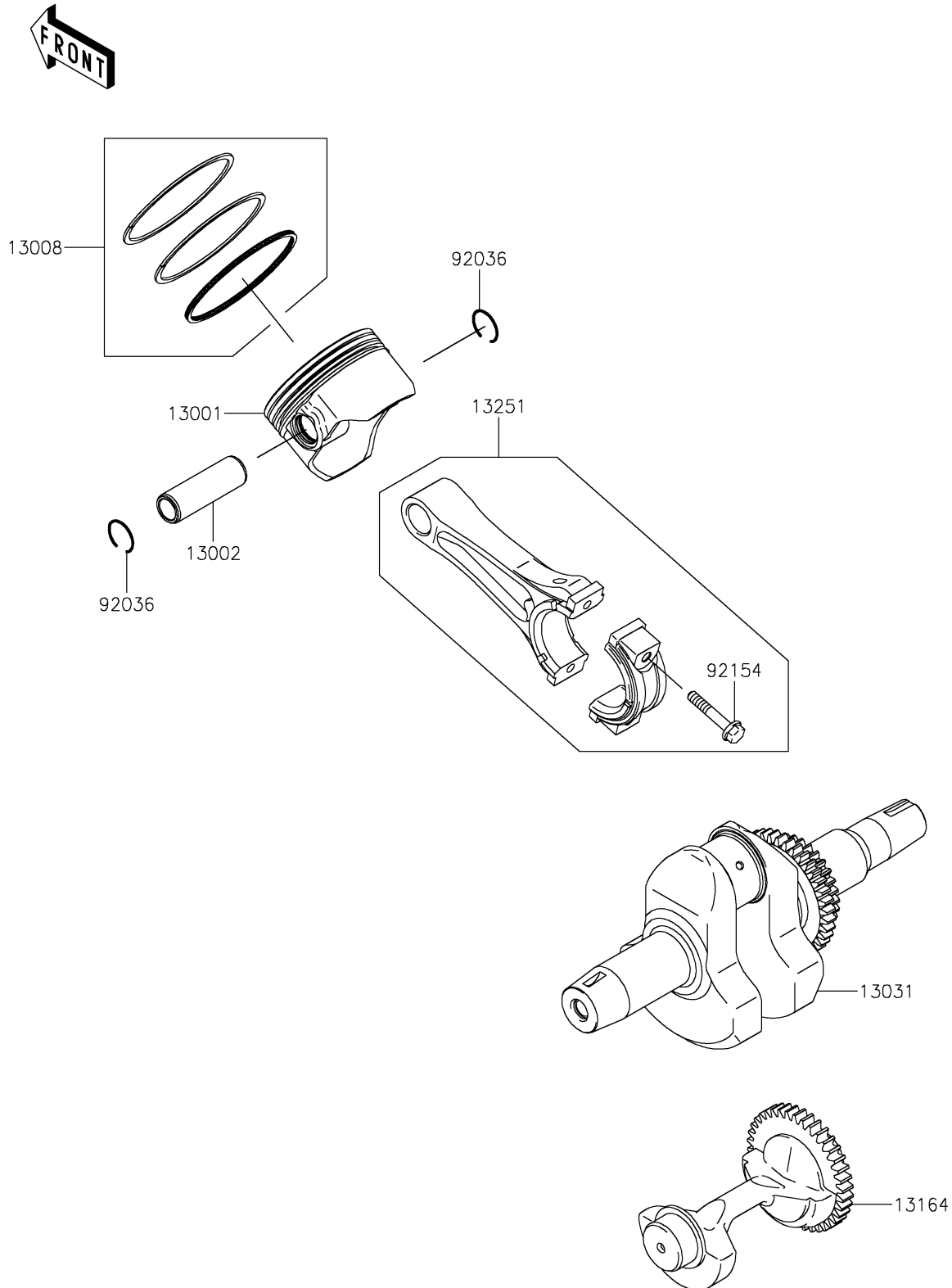


2024 MULE SX™ 4x4 FE

PARTS DIAGRAM Crankshaft/Piston(s)

E1320



2024 MULE SX™ 4x4 FE

PARTS LIST

Crankshaft/Piston(s)

ITEM NAME	PART NUMBER	QUANTITY
-----------	-------------	----------
