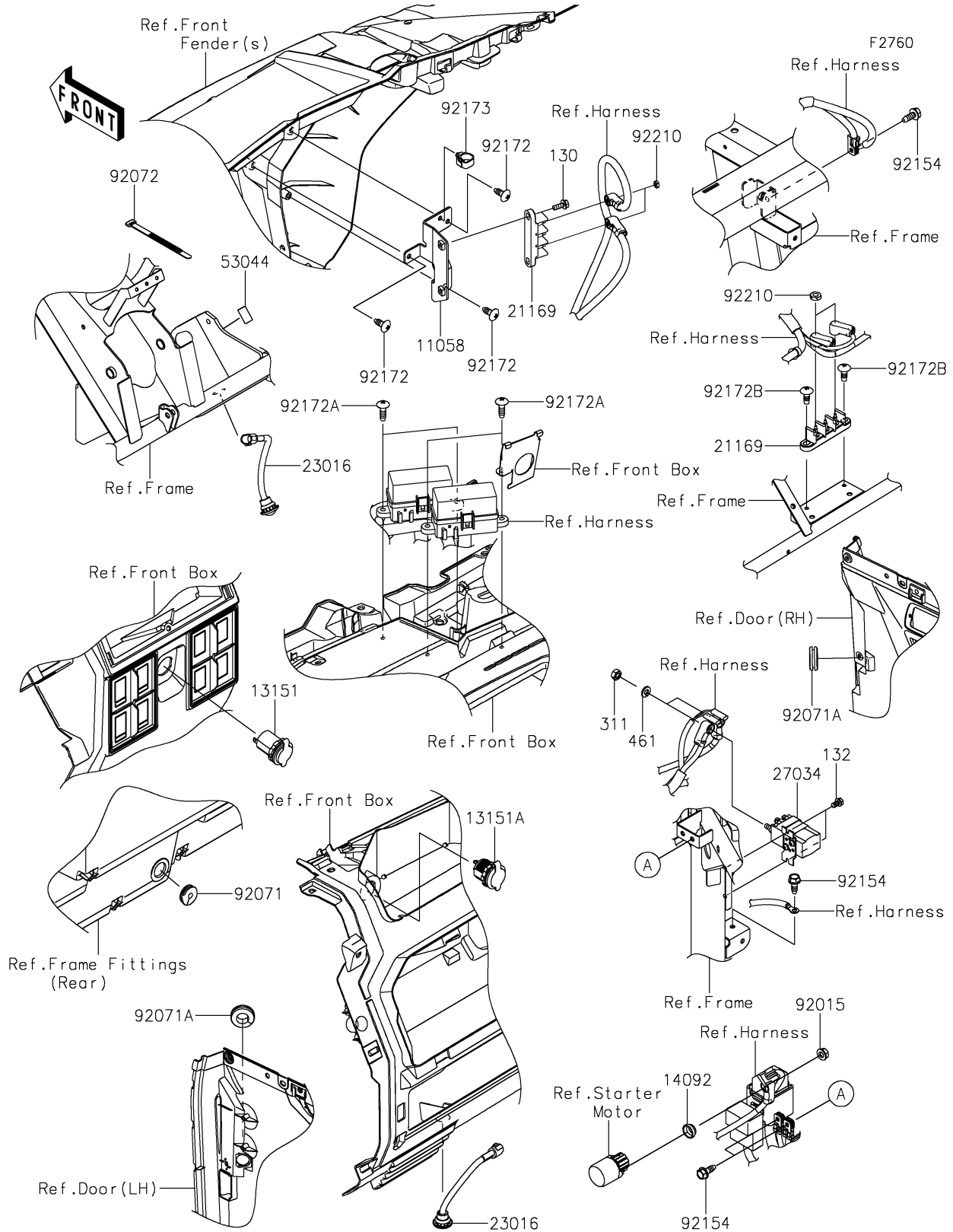


2024 RIDGE® XR HVAC

PARTS DIAGRAM

Chassis Electrical Equipment



2024 RIDGE® XR HVAC

PARTS LIST

Chassis Electrical Equipment



ITEM NAME	PART NUMBER	QUANTITY
-----------	-------------	----------
