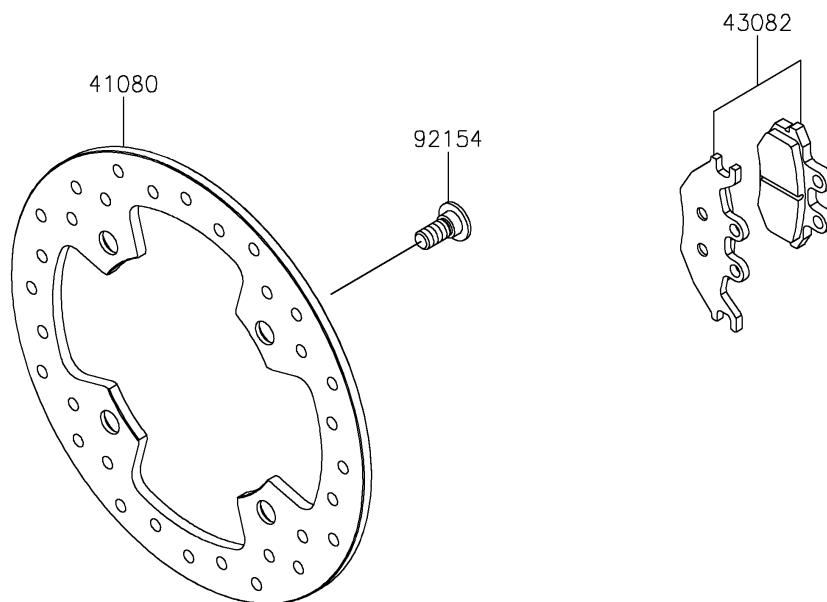
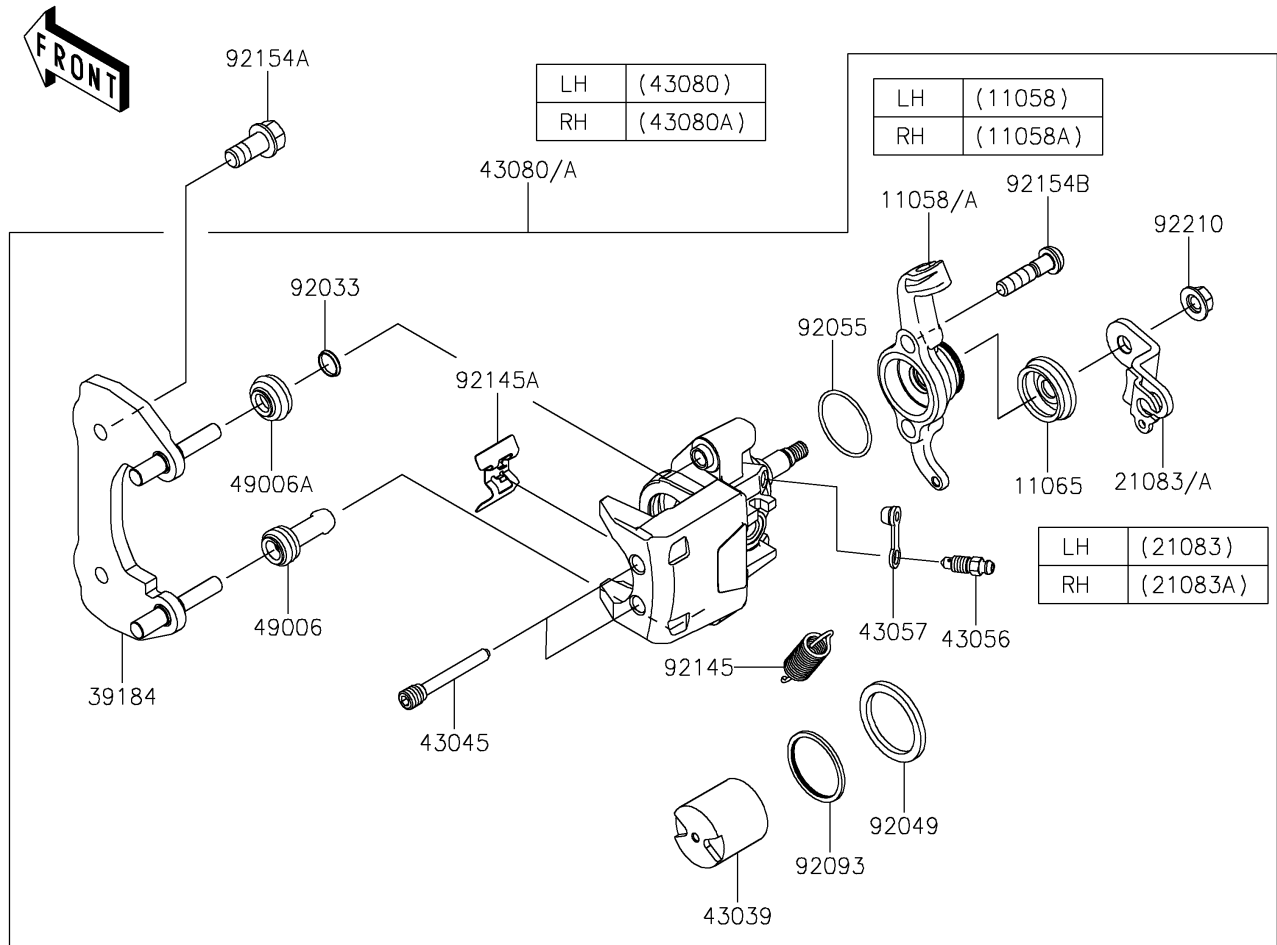


# 2024 RIDGE® XR HVAC

## PARTS DIAGRAM

### Rear Brake

F2294



# 2024 RIDGE® XR HVAC

## PARTS LIST

### Rear Brake



ITEM NAME	PART NUMBER	QUANTITY
-----------	-------------	----------

---