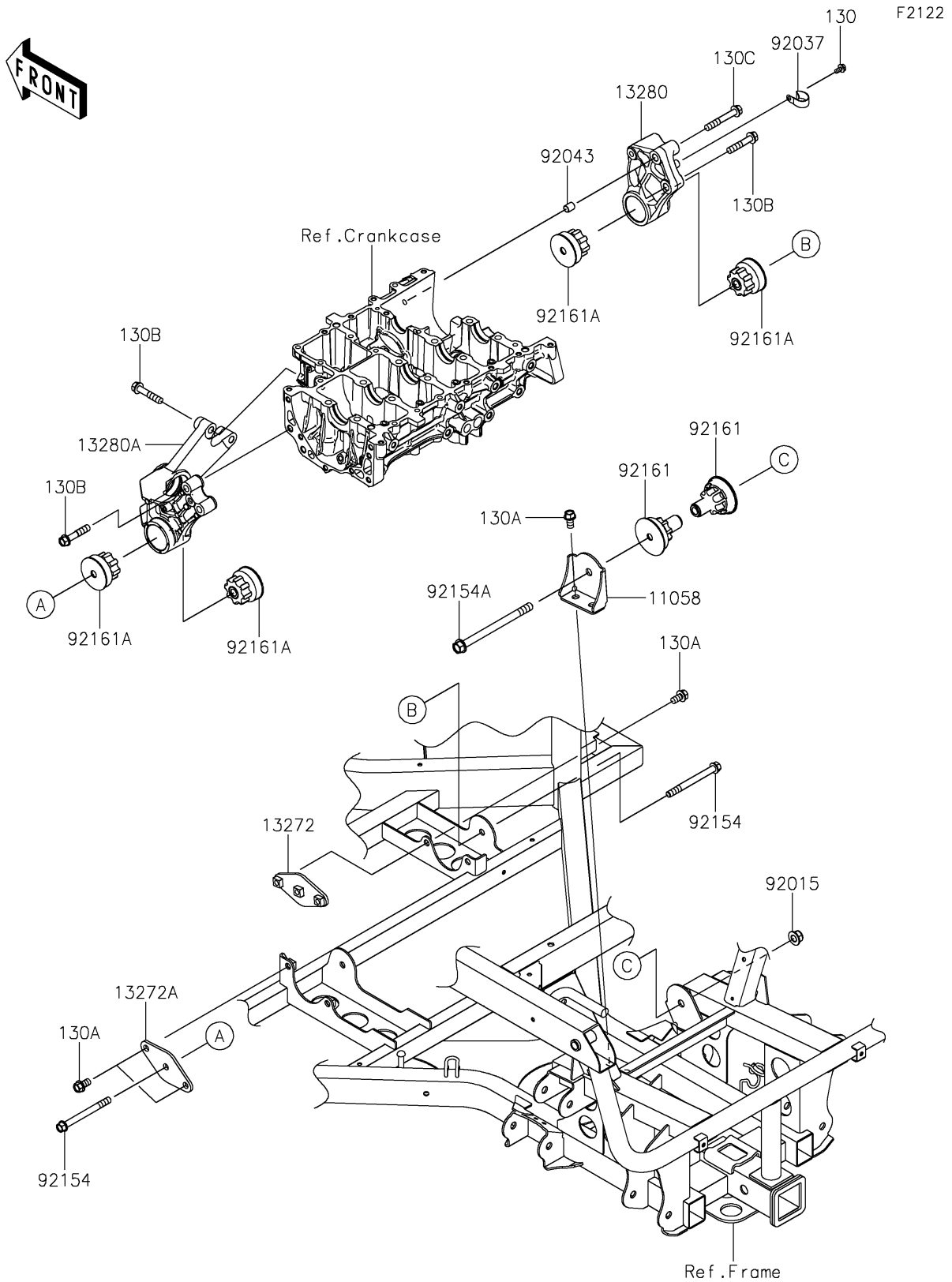


# 2024 RIDGE® XR HVAC

## PARTS DIAGRAM

### Engine Mount



# 2024 RIDGE® XR HVAC

## PARTS LIST

### Engine Mount

**ITEM NAME**

**PART NUMBER**

**QUANTITY**

---