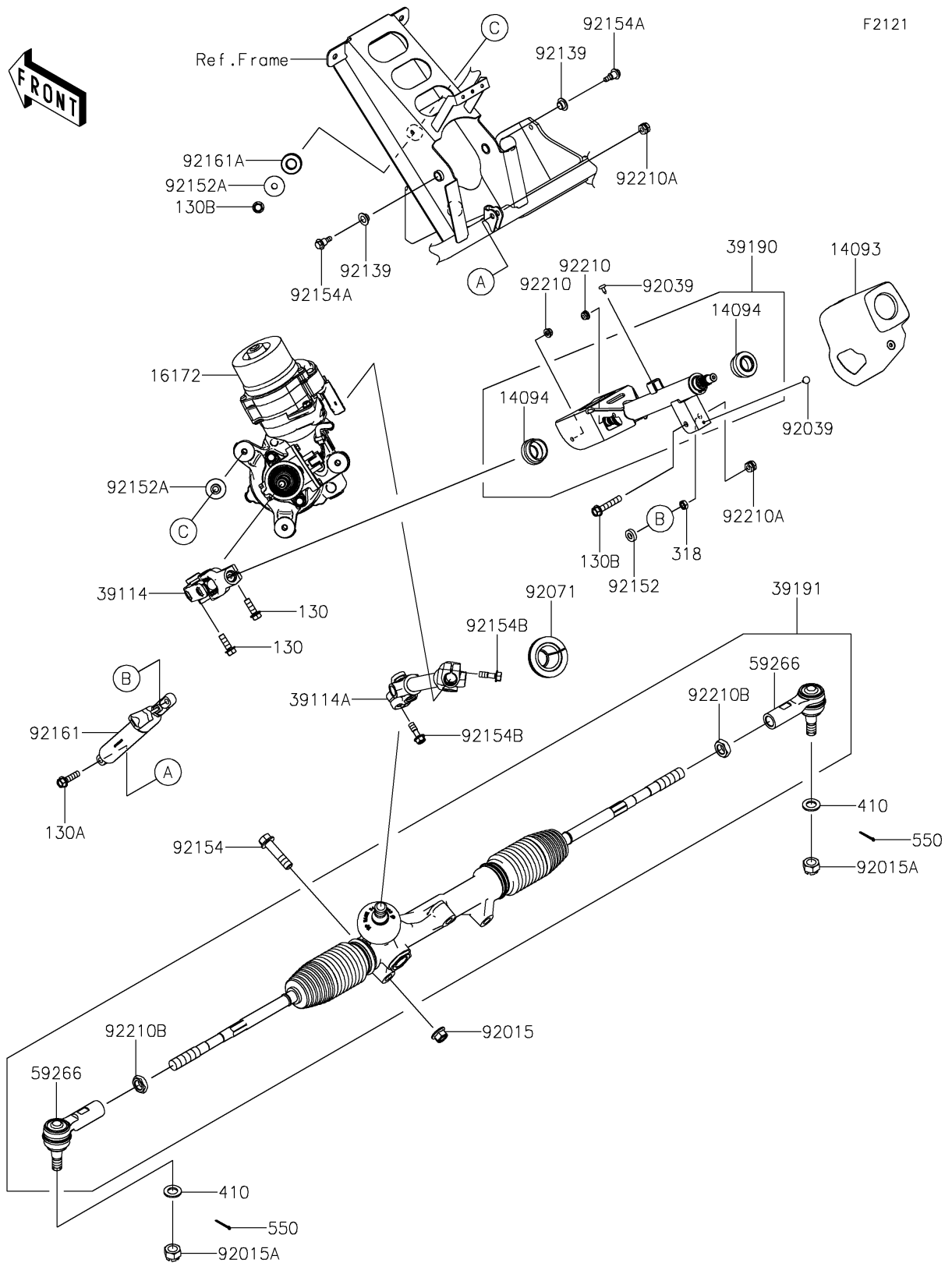


# 2024 RIDGE® XR HVAC

## PARTS DIAGRAM

### Steering Shaft



# 2024 RIDGE® XR HVAC

## PARTS LIST

### Steering Shaft

**ITEM NAME**

**PART NUMBER**

**QUANTITY**

---