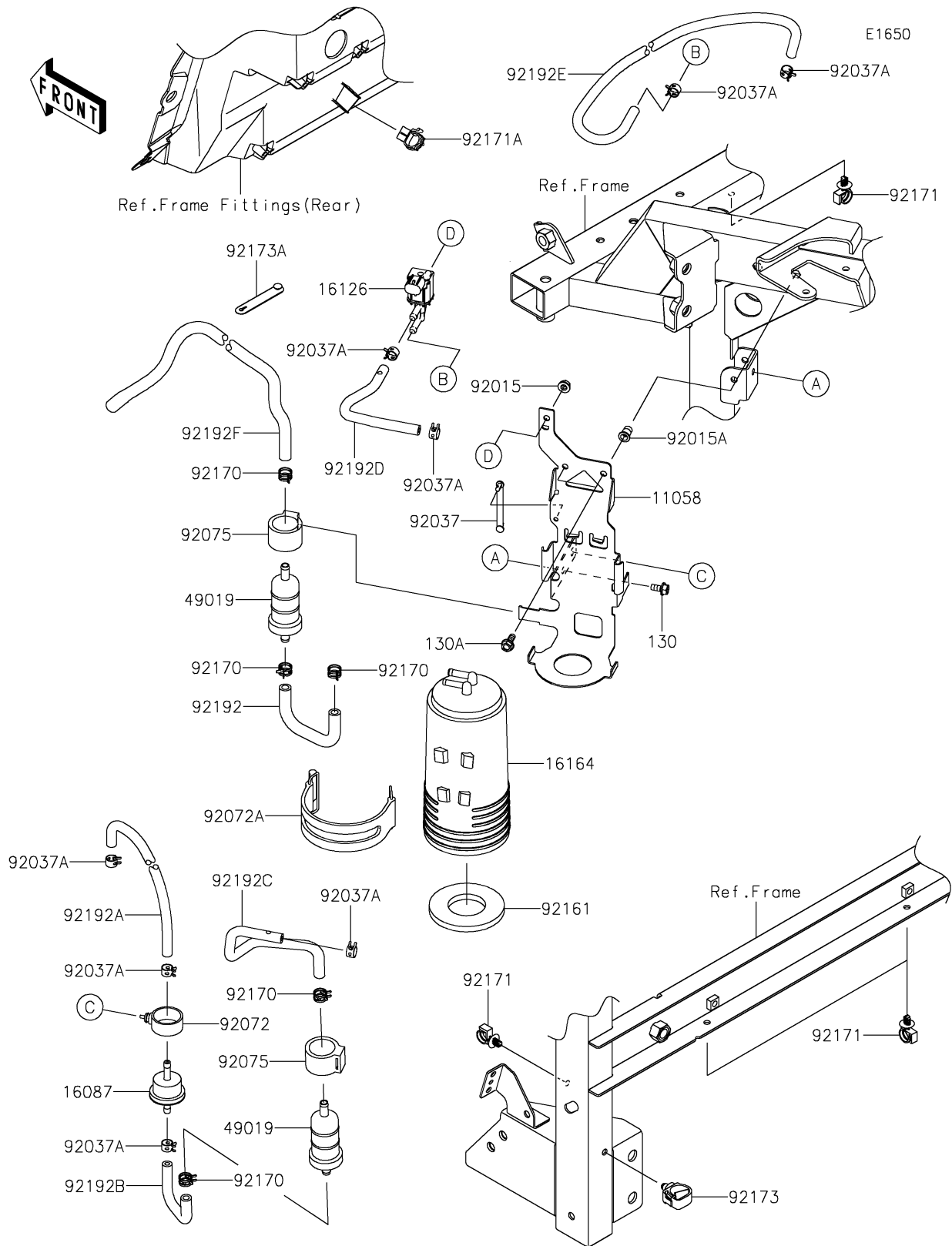


# 2024 RIDGE® XR HVAC

## PARTS DIAGRAM

### Fuel Evaporative System(CA)



# 2024 RIDGE® XR HVAC

## PARTS LIST

Fuel Evaporative System(CA)



ITEM NAME	PART NUMBER	QUANTITY
-----------	-------------	----------

---