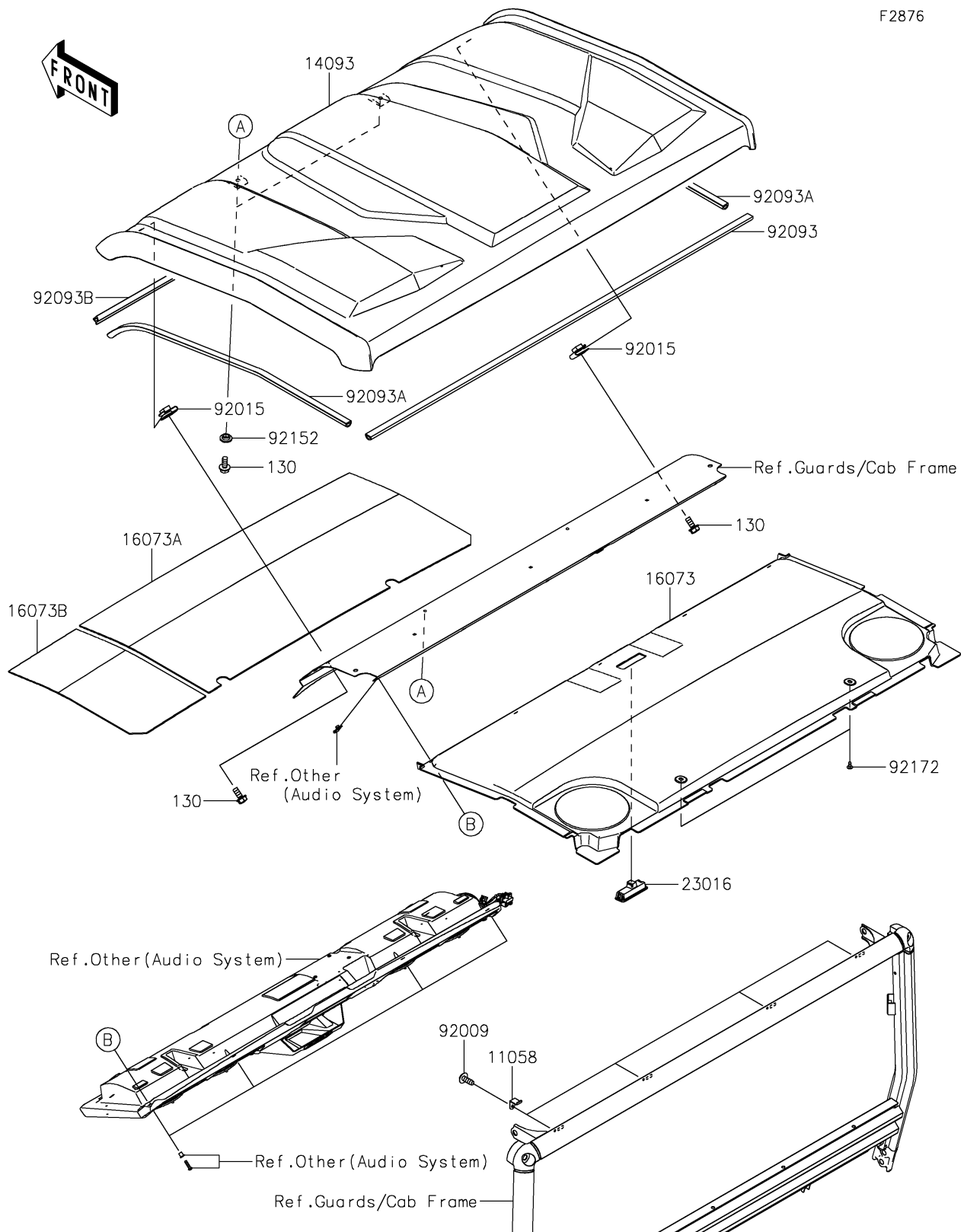


# 2024 RIDGE® LIMITED HVAC

## PARTS DIAGRAM

Sun Top

F2876



# 2024 RIDGE<sup>®</sup> LIMITED HVAC

## PARTS LIST

Sun Top



ITEM NAME	PART NUMBER	QUANTITY
-----------	-------------	----------

---