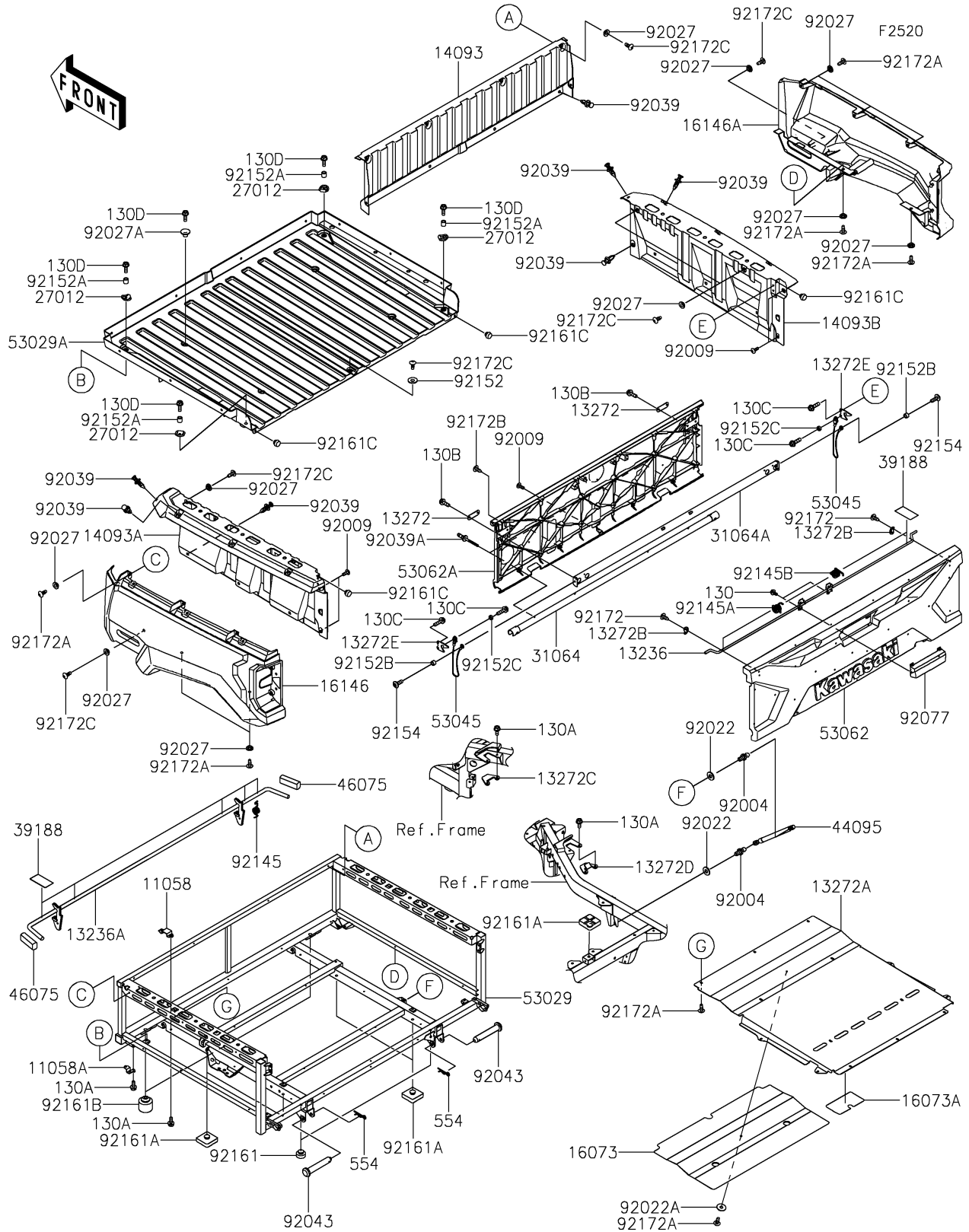


2024 RIDGE® LIMITED HVAC

PARTS DIAGRAM

Carrier(s)



2024 RIDGE[®] LIMITED HVAC

PARTS LIST

Carrier(s)



ITEM NAME	PART NUMBER	QUANTITY
-----------	-------------	----------
