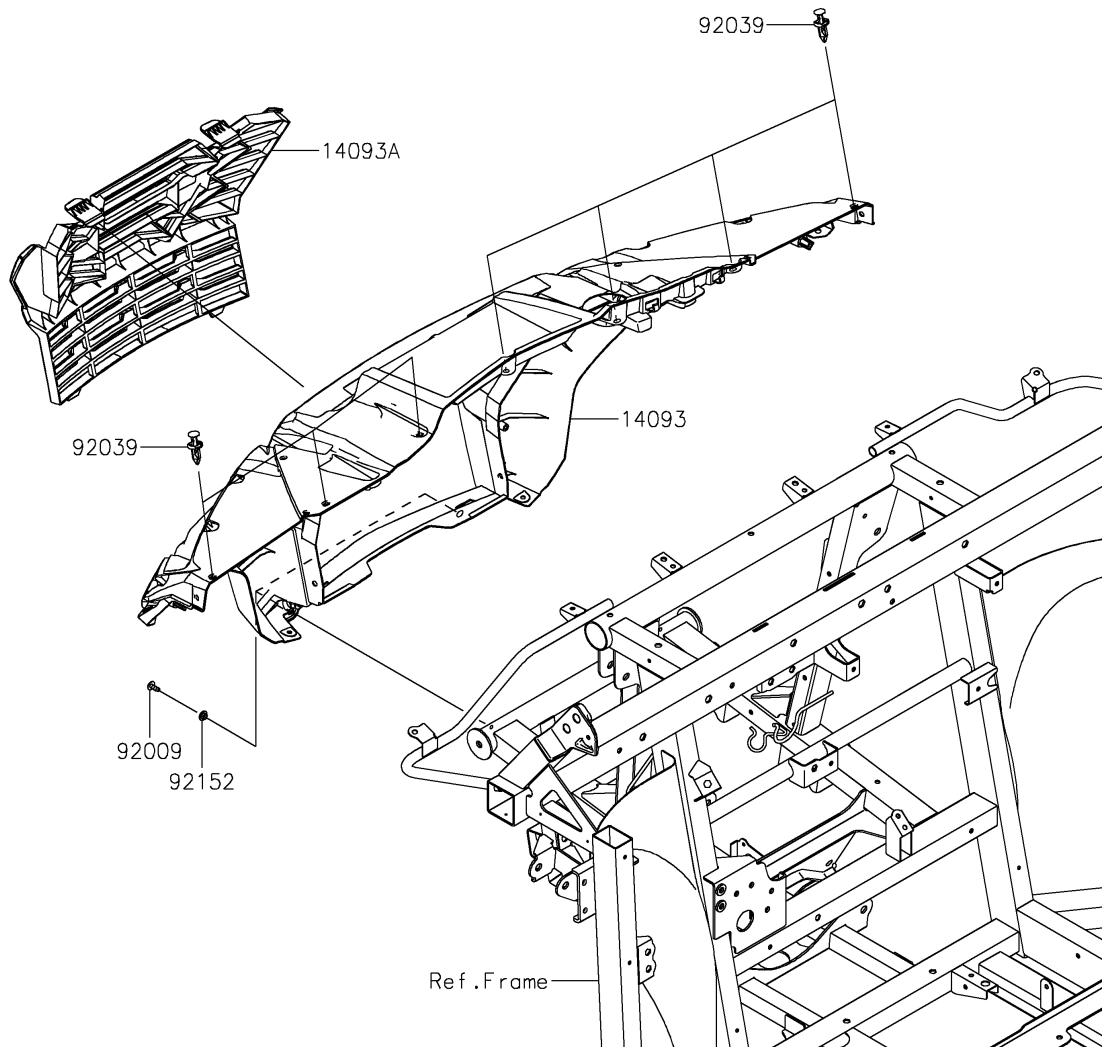
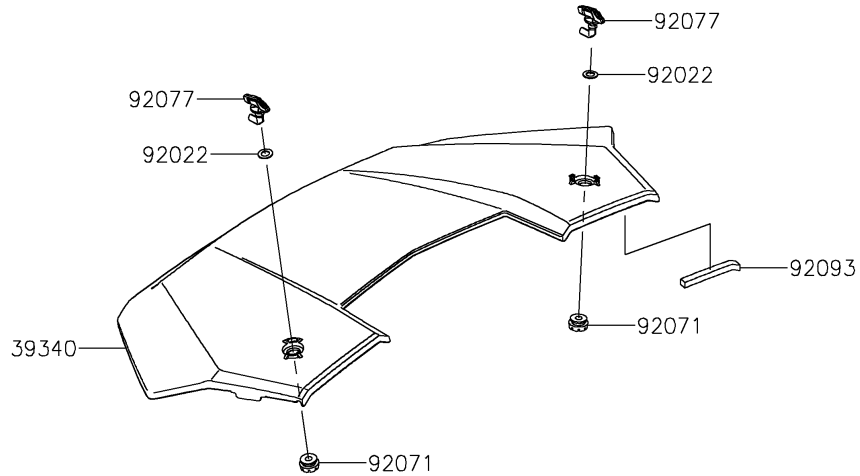


# 2024 RIDGE® LIMITED HVAC

## PARTS DIAGRAM

### Front Fender(s)

F2171



# 2024 RIDGE<sup>®</sup> LIMITED HVAC

## PARTS LIST

Front Fender(s)

**ITEM NAME**

**PART NUMBER**

**QUANTITY**

---