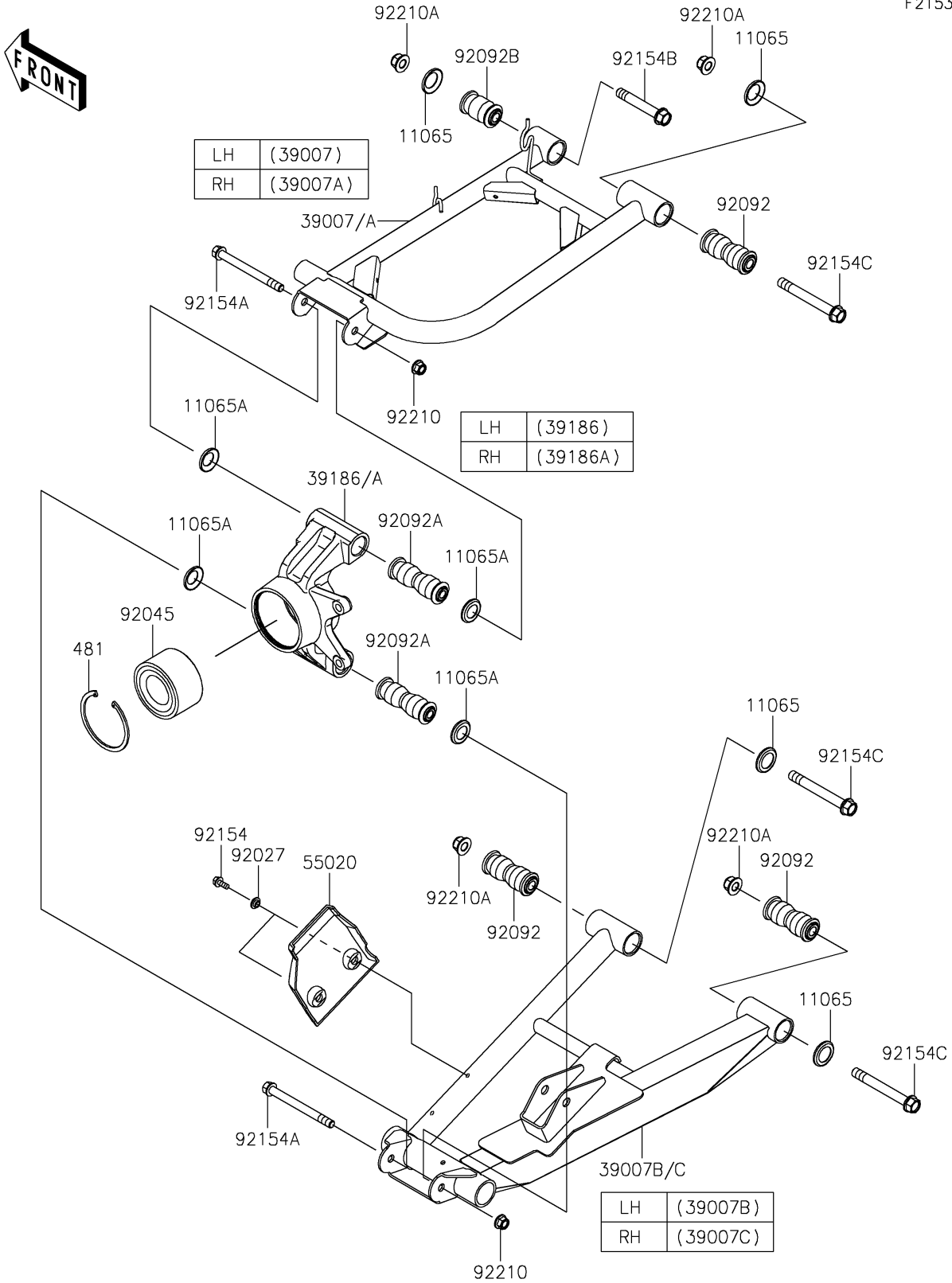


# 2024 RIDGE® LIMITED HVAC

## PARTS DIAGRAM

### Rear Suspension

F2153



# 2024 RIDGE<sup>®</sup> LIMITED HVAC

## PARTS LIST

### Rear Suspension



ITEM NAME	PART NUMBER	QUANTITY
-----------	-------------	----------

---