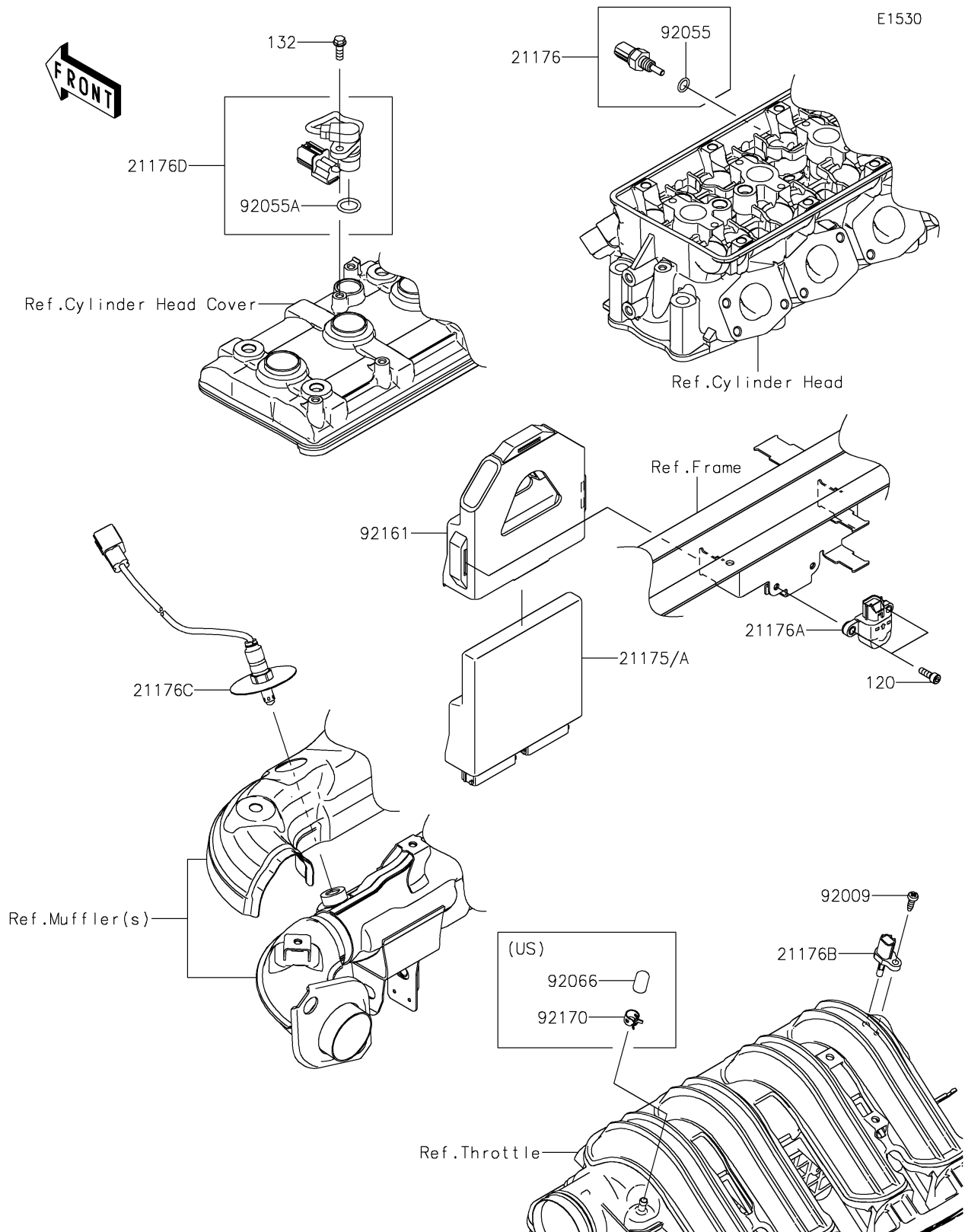


# 2024 RIDGE® LIMITED HVAC

## PARTS DIAGRAM

### Fuel Injection



# 2024 RIDGE<sup>®</sup> LIMITED HVAC

## PARTS LIST Fuel Injection



| ITEM NAME | PART NUMBER | QUANTITY |
|-----------|-------------|----------|
|-----------|-------------|----------|

---