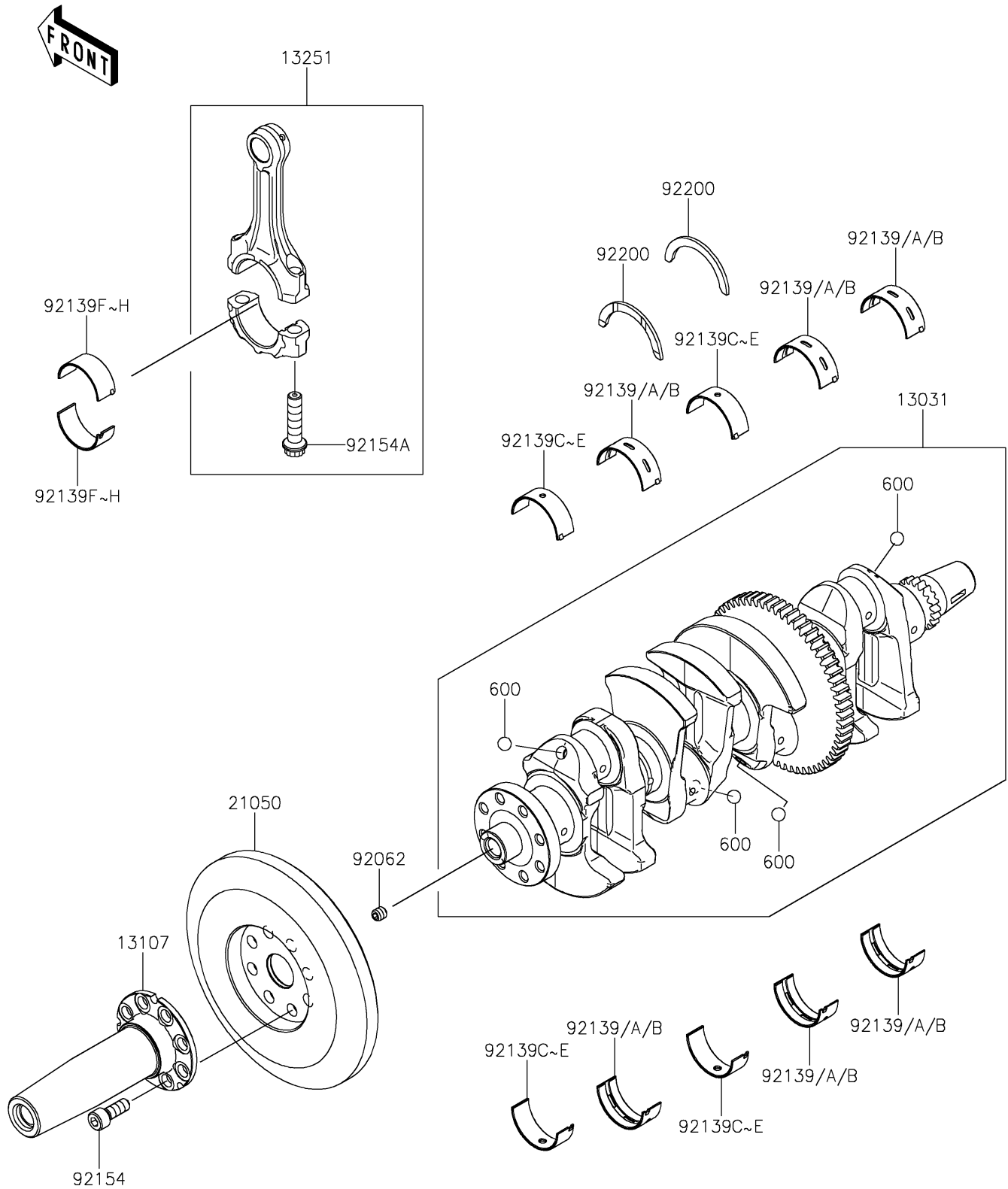


# 2024 RIDGE® LIMITED HVAC

## PARTS DIAGRAM

### Crankshaft

E1321



# 2024 RIDGE<sup>®</sup> LIMITED HVAC

## PARTS LIST

### Crankshaft



**ITEM NAME**

**PART NUMBER**

**QUANTITY**

---