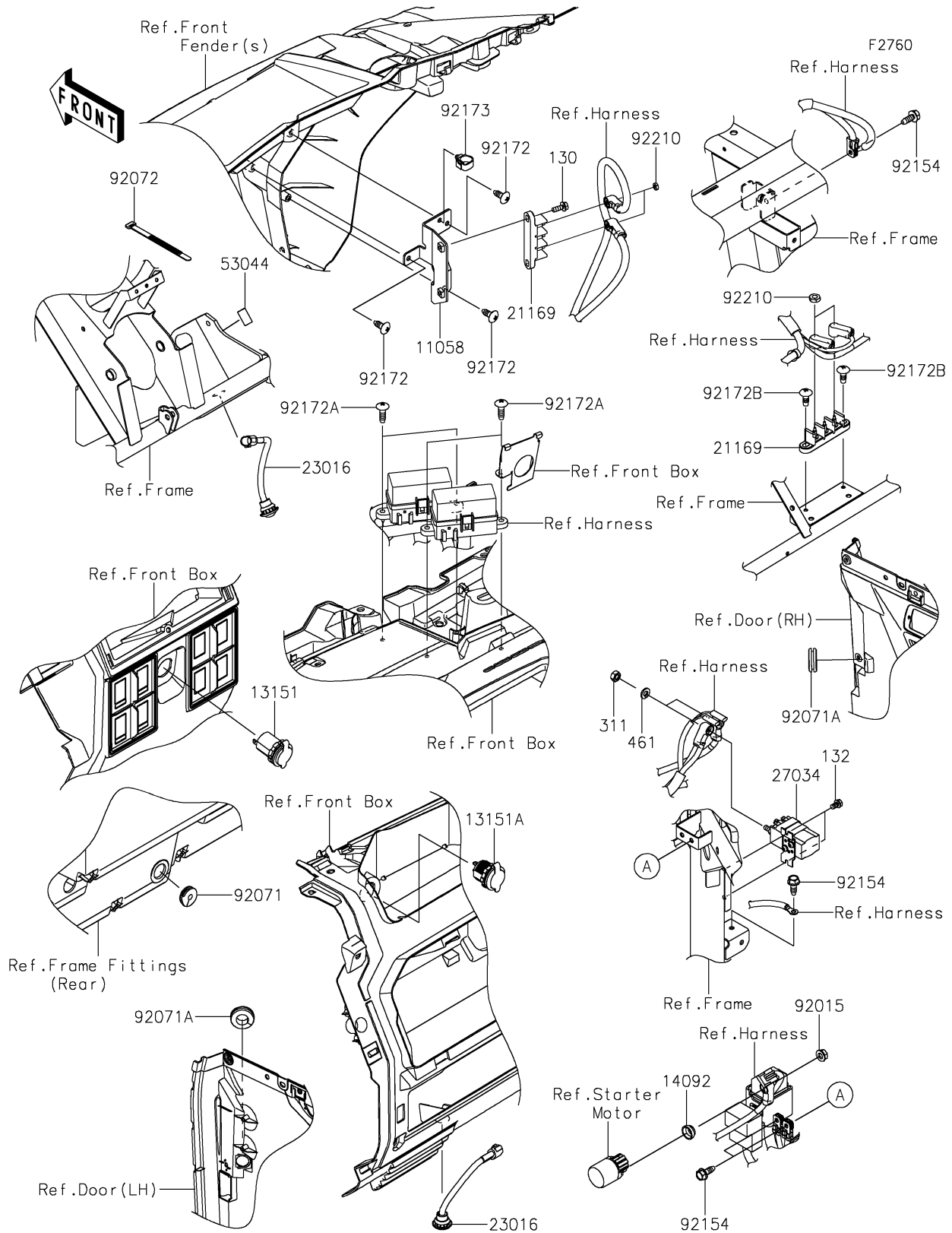


2024 Ridge HVAC

PARTS DIAGRAM

Chassis Electrical Equipment



2024 Ridge HVAC

PARTS LIST

Chassis Electrical Equipment



ITEM NAME	PART NUMBER	QUANTITY
-----------	-------------	----------
