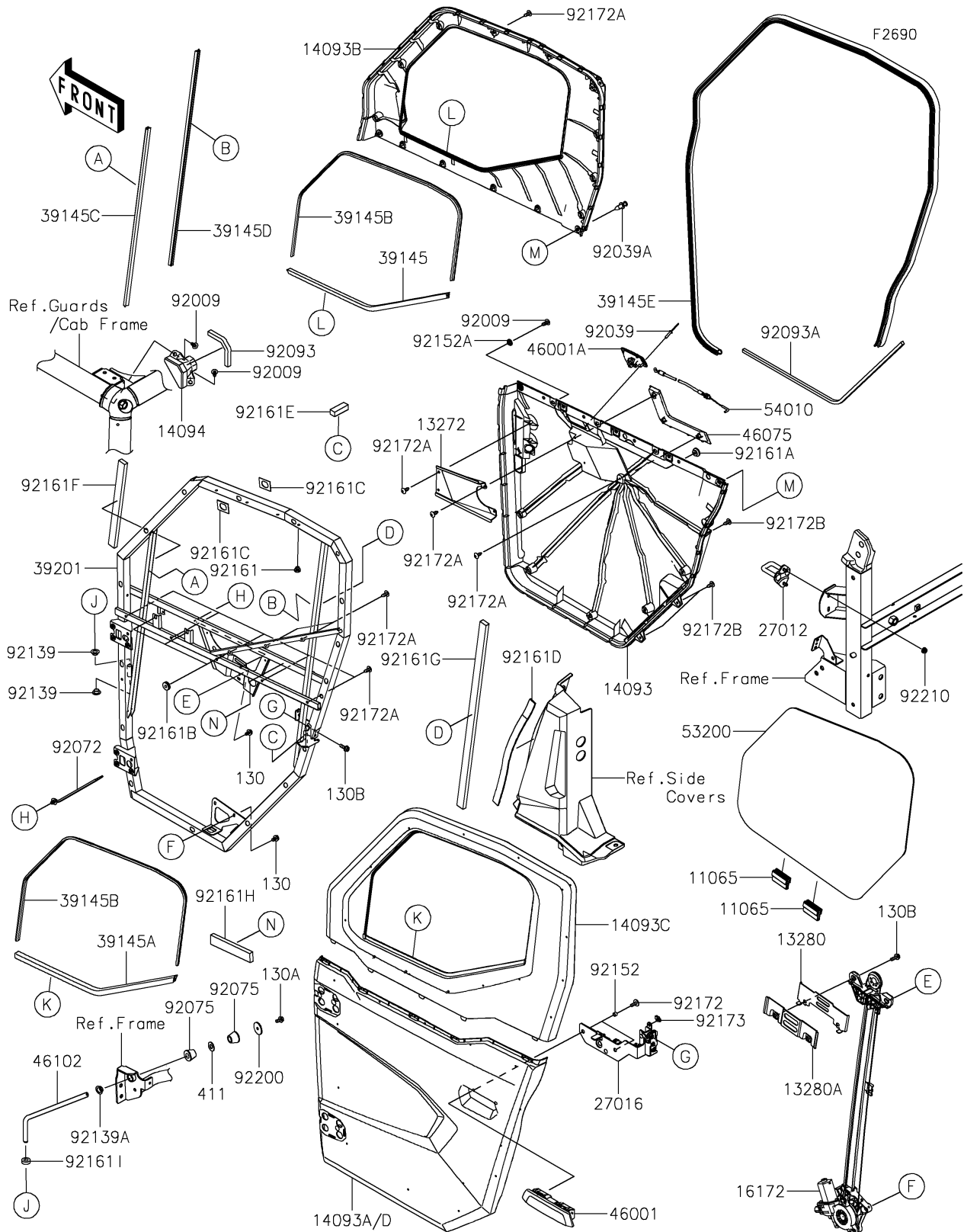


# 2025 Ridge HVAC

## PARTS DIAGRAM

### Door(LH)



# 2025 Ridge HVAC

## PARTS LIST

Door(LH)

**ITEM NAME**

**PART NUMBER**

**QUANTITY**

---