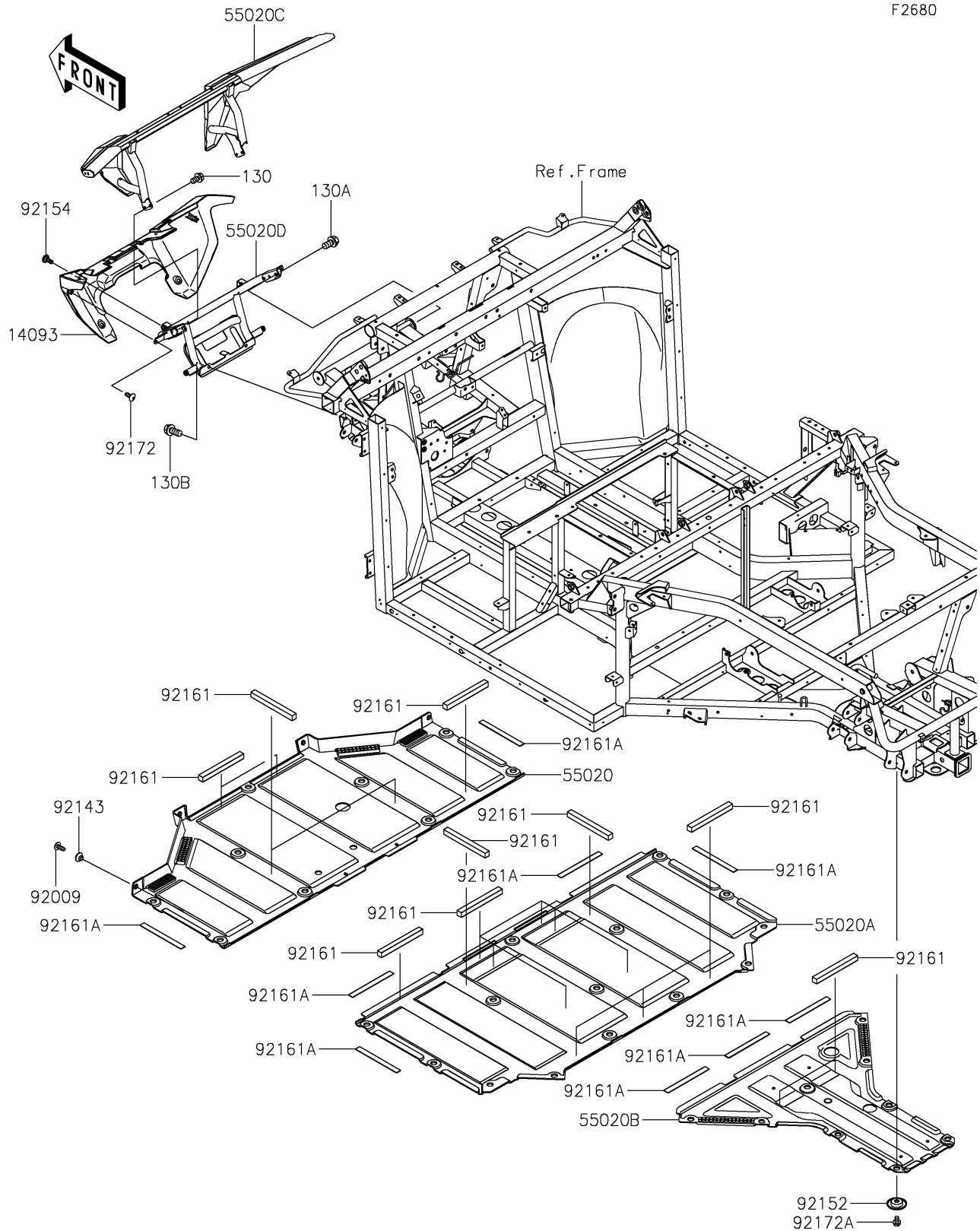


# 2024 Ridge HVAC

## PARTS DIAGRAM

### Guard(s)



F2680

# 2024 Ridge HVAC

## PARTS LIST

Guard(s)

**ITEM NAME**

**PART NUMBER**

**QUANTITY**

---