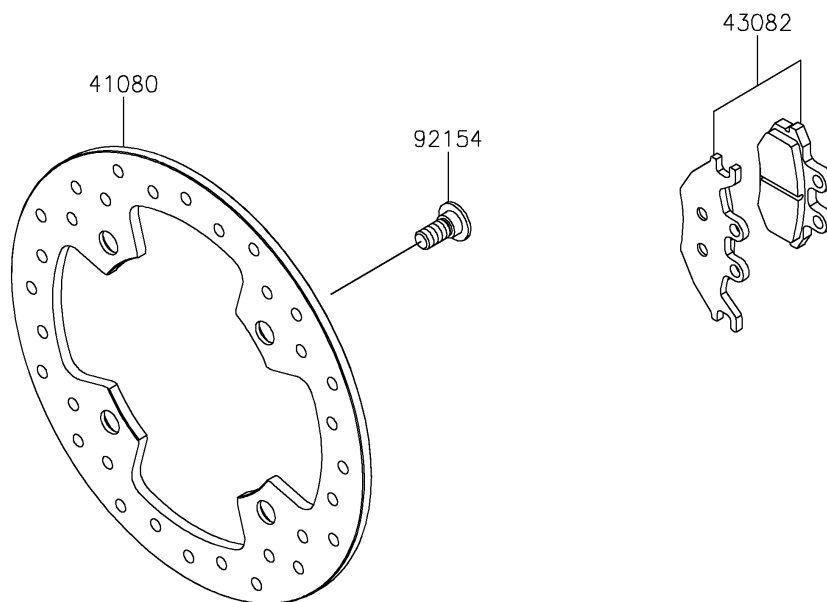
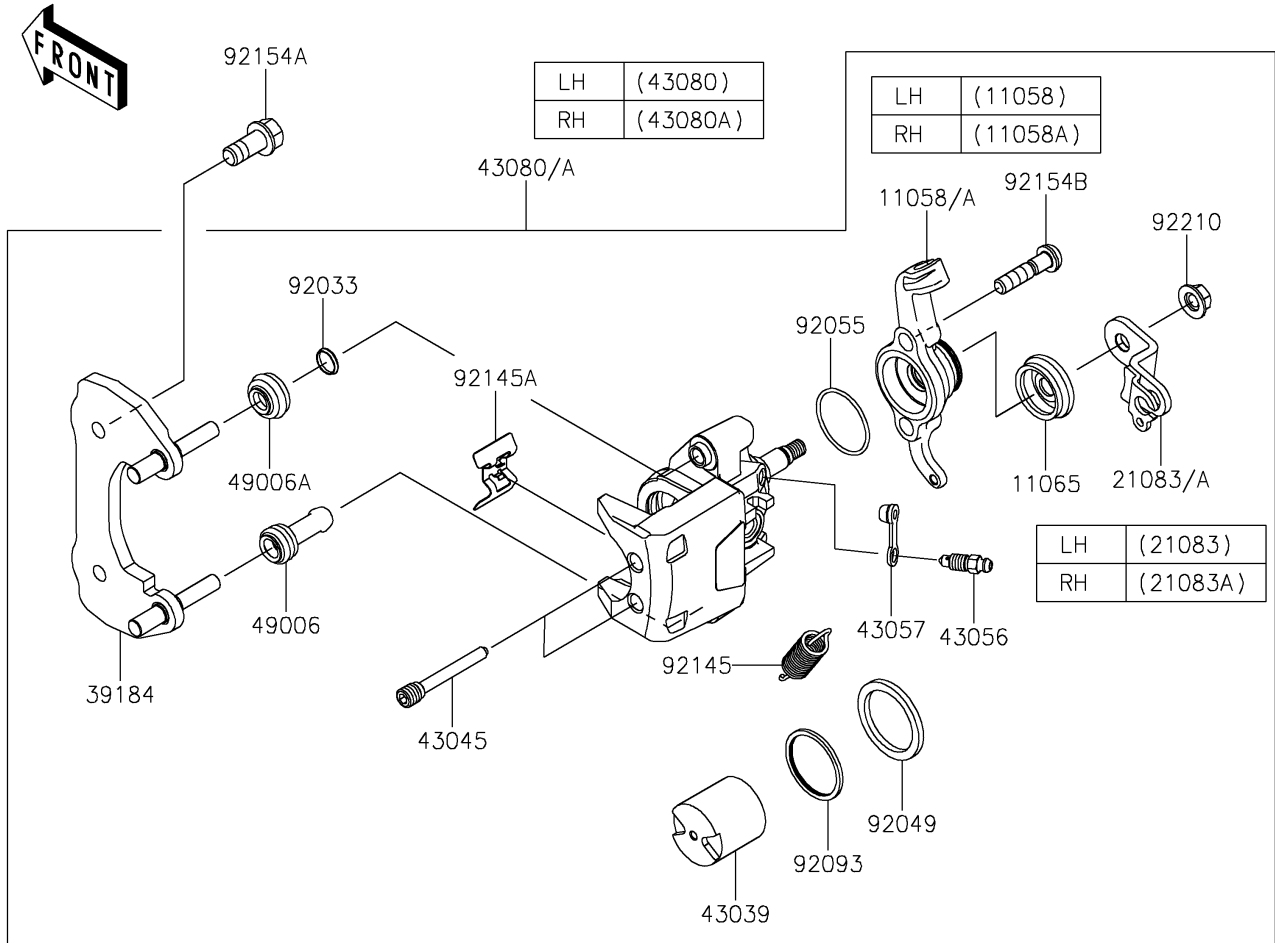


# 2025 Ridge HVAC

## PARTS DIAGRAM

### Rear Brake

F2294



# 2025 Ridge HVAC

## PARTS LIST

### Rear Brake

**ITEM NAME**

**PART NUMBER**

**QUANTITY**

---