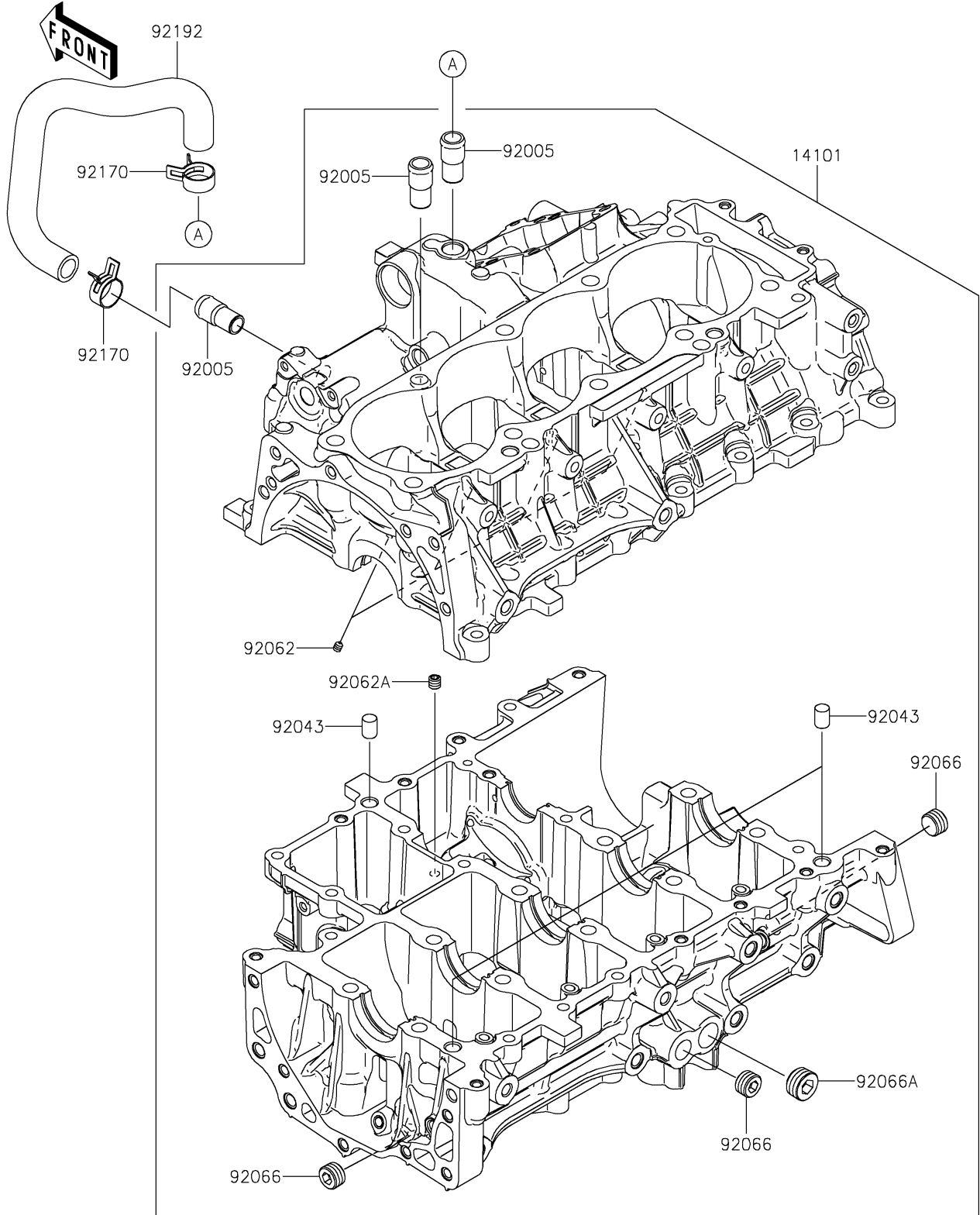


2025 Ridge HVAC

PARTS DIAGRAM

Crankcase

E1411



2025 Ridge HVAC

PARTS LIST

Crankcase



ITEM NAME	PART NUMBER	QUANTITY
-----------	-------------	----------
