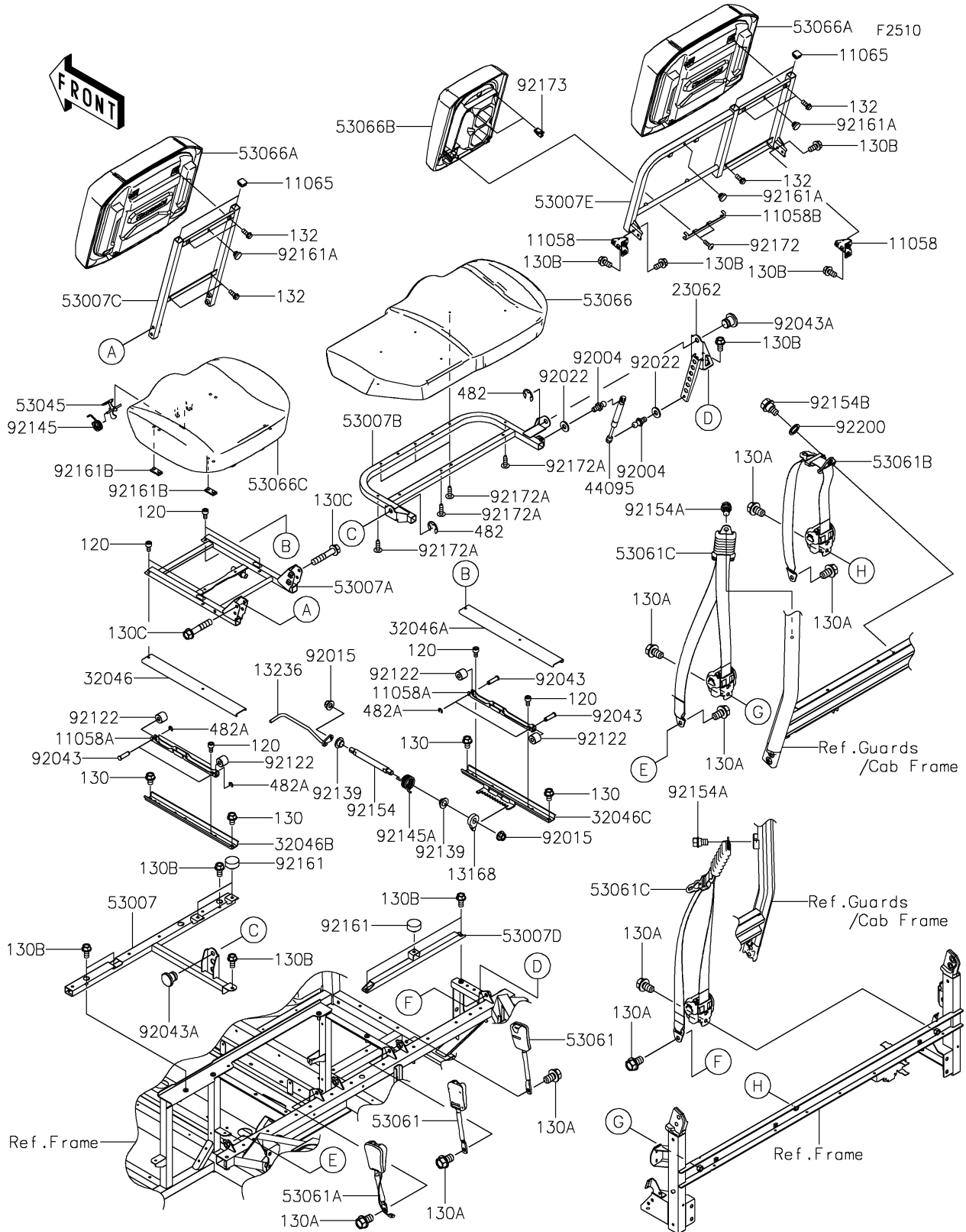


2025 RIDGE® XR DELUXE HVAC

PARTS DIAGRAM

Seat



2025 RIDGE® XR DELUXE HVAC

PARTS LIST

Seat

ITEM NAME	PART NUMBER	QUANTITY
BRACKET,SEAT BACK (Ref # 11058)	11058-0244	2
BRACKET,SEAT RAIL (Ref # 11058A)	11058-0250	2
BRACKET,SEAT BACK,CNT (Ref # 11058B)	11058-0516	1
CAP (Ref # 11065)	11065-0901	4
LEVER,STOP (Ref # 13168)	13168-0883	1
LEVER-COMP,SEAT SLIDE (Ref # 13236)	13236-0851	1
BRACKET-COMP,SEAT BOTTOM (Ref # 23062)	23062-1389	1
BRACKET-SEAT,UPP RAIL,LH (Ref # 32046)	32046-0481	1
BRACKET-SEAT,UPP RAIL,RH (Ref # 32046A)	32046-0482	1
BRACKET-SEAT,LWR RAIL,LH (Ref # 32046B)	32046-0483	1
BRACKET-SEAT,LWR RAIL,RH (Ref # 32046C)	32046-0484	1
DAMPER-GAS FILLED (Ref # 44095)	44095-0004	1
FRAME-SEAT,BOTTOM,LH (Ref # 53007)	53007-0458	1
FRAME-SEAT,BOTTOM,DRIVER (Ref # 53007A)	53007-0459	1
FRAME-SEAT,BOTTOM,PASSENGER (Ref # 53007B)	53007-0460	1
FRAME-SEAT,BACK,DRIVER (Ref # 53007C)	53007-0461	1
FRAME-SEAT,BOTTOM,RH (Ref # 53007D)	53007-0464	1
FRAME-SEAT,BACK,PASSENGER (Ref # 53007E)	53007-0466	1
HOOK-ASSY (Ref # 53045)	53045-0019	1
BELT-SEAT,BUCKLE (Ref # 53061)	53061-0039	2
BELT-SEAT,BUCKLE,SW. (Ref # 53061A)	53061-0364	1
BELT-SEAT,CNT (Ref # 53061B)	53061-0377	1
BELT-SEAT,LH/RH (Ref # 53061C)	53061-0378	2
SEAT,BOTTOM,PASSENGER,BLK+SIL (Ref # 53066)	53066-0867-55P	1
SEAT-ASSY,BACK,BLACK+SIL+SIL (Ref # 53066A)	53066-0868-41H	2
SEAT-ASSY,BACK,CNT,BLACK (Ref # 53066B)	53066-0869-MA	1
SEAT,BOTTOM,DRIVER,BLK+SIL (Ref # 53066C)	53066-0870-55P	1
STUD (Ref # 92004)	92004-0733	2
NUT,8MM (Ref # 92015)	92015-1432	2

2025 RIDGE® XR DELUXE HVAC

PARTS LIST

Seat

ITEM NAME	PART NUMBER	QUANTITY
WASHER,8.2X19X2 (Ref # 92022)	92022-1533	2
PIN (Ref # 92043)	92043-0991	4
PIN (Ref # 92043A)	92043-1773	2
ROLLER (Ref # 92122)	92122-0564	4
BUSHING (Ref # 92139)	92139-0230	2
SPRING,SEAT LATCH (Ref # 92145)	92145-0022	1
SPRING,ADJUST LEVER (Ref # 92145A)	92145-1858	1
BOLT,ADJUST LEVER (Ref # 92154)	92154-3923	1
BOLT,FLANGED,10X16 (Ref # 92154A)	92154-7395	2
BOLT,FLANGED,10X19.5 (Ref # 92154B)	92154-7396	1
DAMPER,SEAT (Ref # 92161)	92161-1065	3
DAMPER (Ref # 92161A)	92161-1084	3
DAMPER,SEAT (Ref # 92161B)	92161-1489	4
SCREW,TAPPING,5X16 (Ref # 92172)	92172-0427	2
SCREW,TAPPING,6X20 (Ref # 92172A)	92172-0488	6
CLAMP (Ref # 92173)	92173-1423	2
WASHER,16X22X2 (Ref # 92200)	92200-1798	1
BOLT-SOCKET,6X12 (Ref # 120)	120CA0612	8
BOLT-FLANGED,8X12 (Ref # 130)	130AA0812	4
BOLT-FLANGED,12X20 (Ref # 130A)	130BA1220	9
BOLT-FLANGED,8X16 (Ref # 130B)	130CA0816	16
BOLT-FLANGED,10X50 (Ref # 130C)	130CA1050	4
BOLT-FLANGED-SMALL,6X14 (Ref # 132)	132BB0614	8
CIRCLIP-TYPE-E,12MM (Ref # 482)	482EA0200	2
CIRCLIP-TYPE-E,4MM (Ref # 482A)	482J4000	4