

# 2026 VULCAN® S ABS

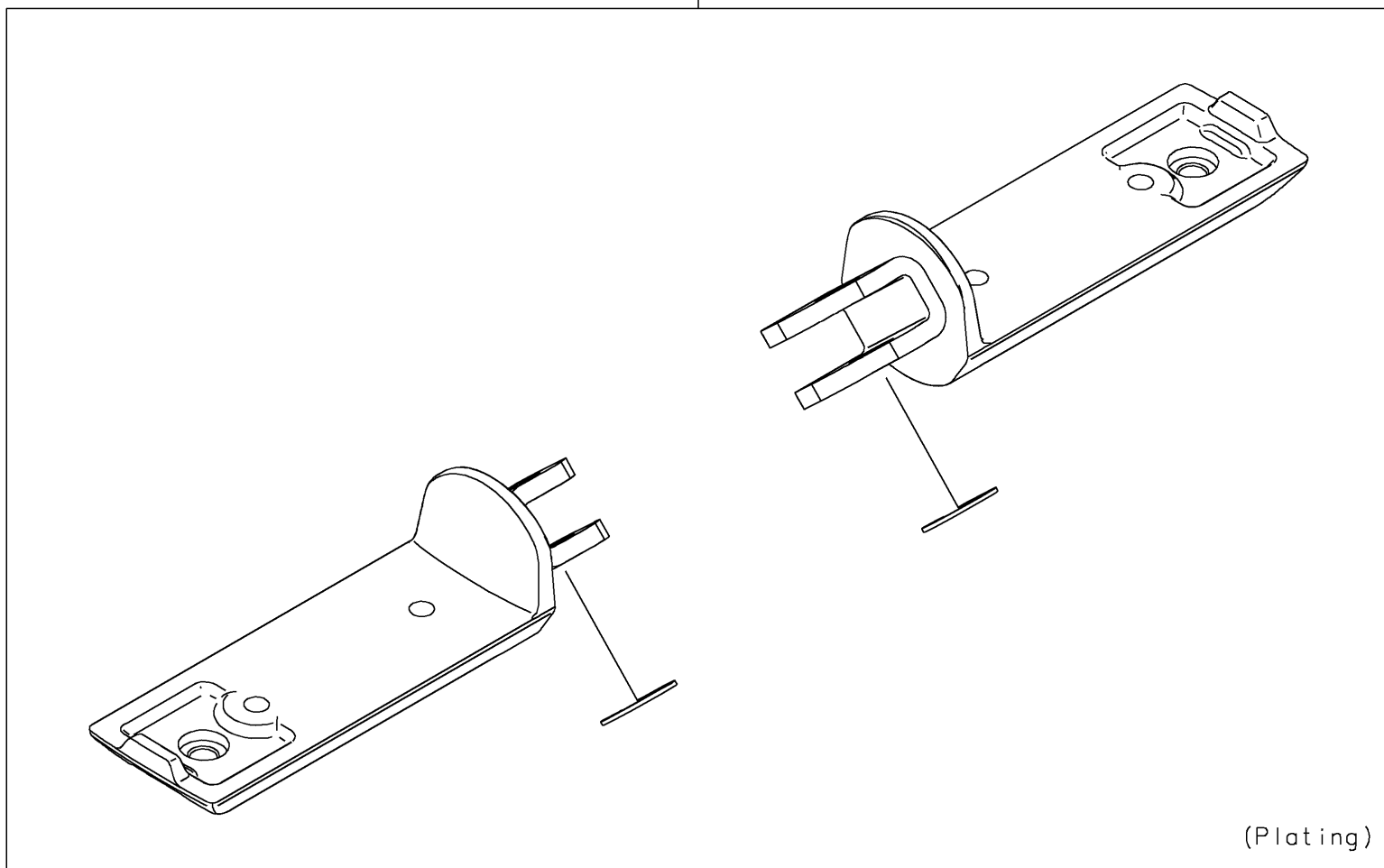
## PARTS DIAGRAM

Accessory(Foot Peg)

F2910K



99994



(Plating)

# 2026 VULCAN® S ABS

## PARTS LIST

Accessory(Foot Peg)

**ITEM NAME**

**PART NUMBER**

**QUANTITY**

---