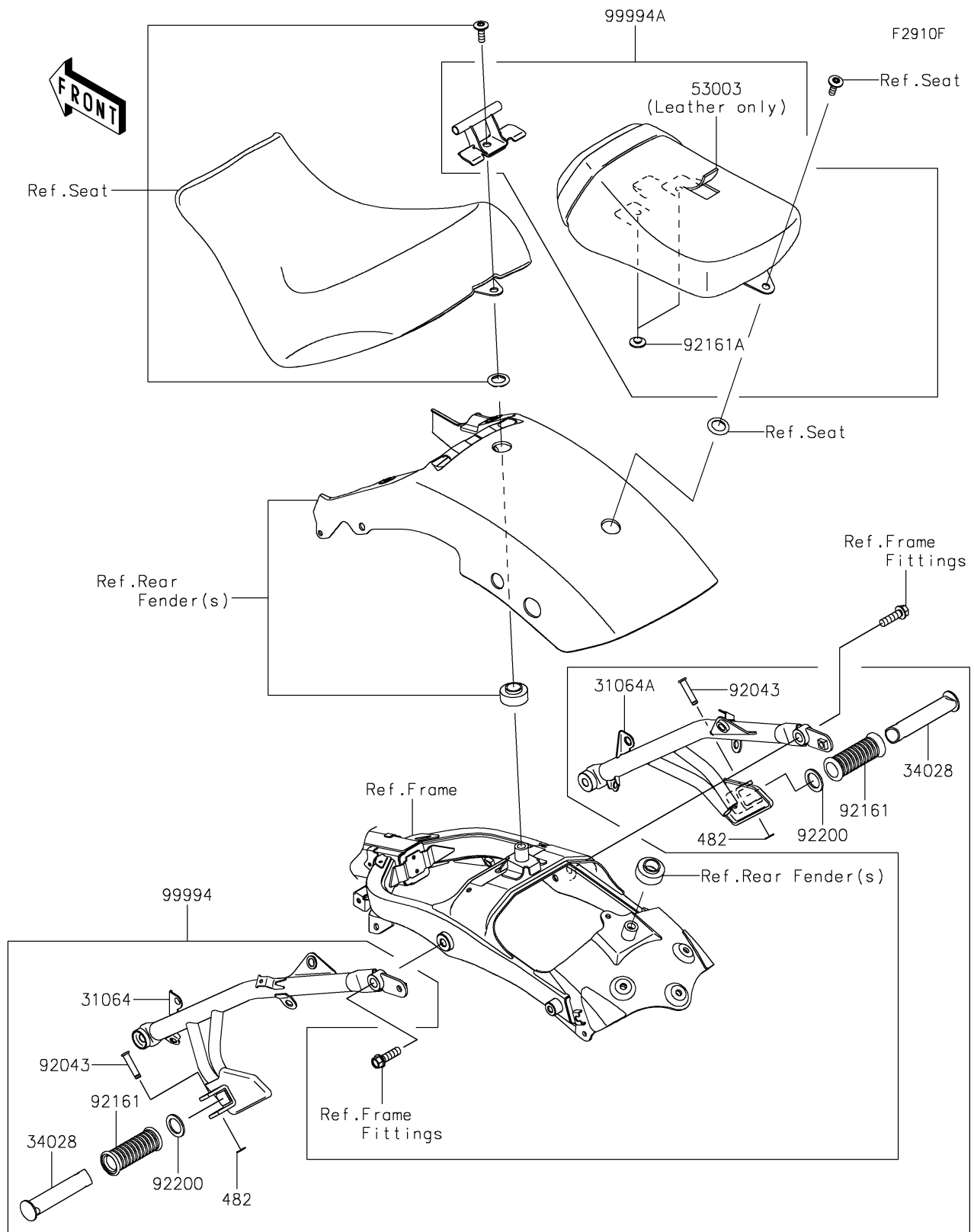


# 2026 VULCAN® S ABS

## PARTS DIAGRAM

### Accessory(Passenger Seat)



# 2026 VULCAN® S ABS

## PARTS LIST

Accessory(Passenger Seat)

**ITEM NAME**

**PART NUMBER**

**QUANTITY**

---