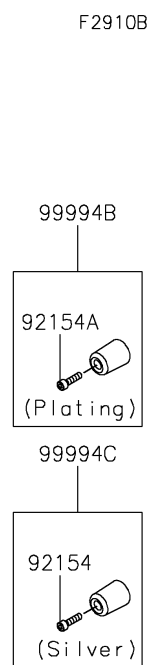
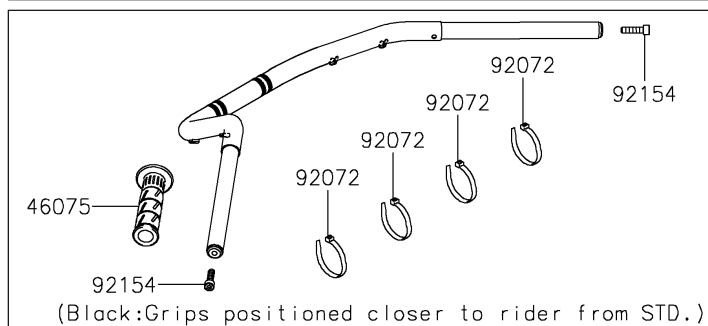
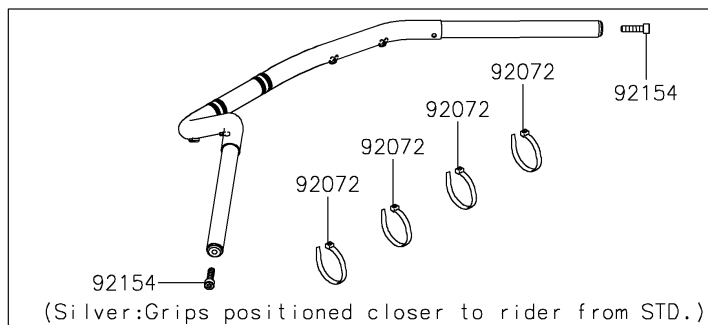
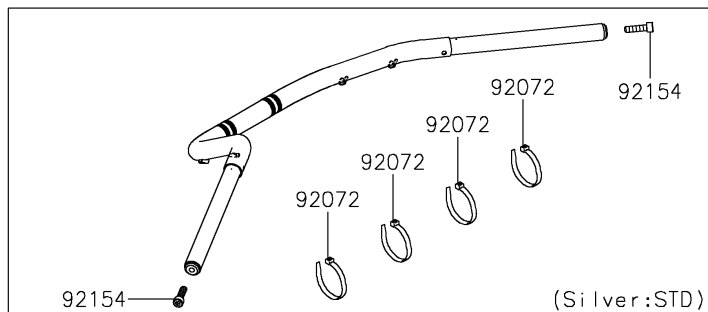
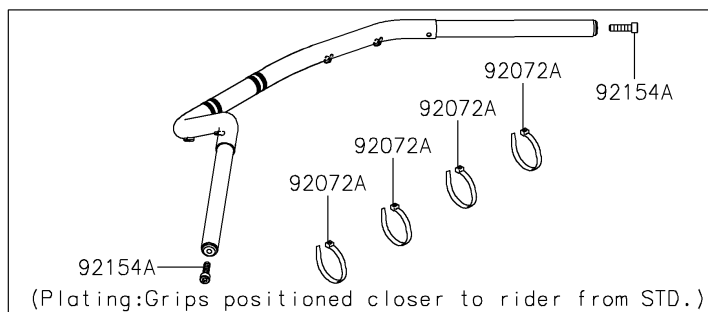
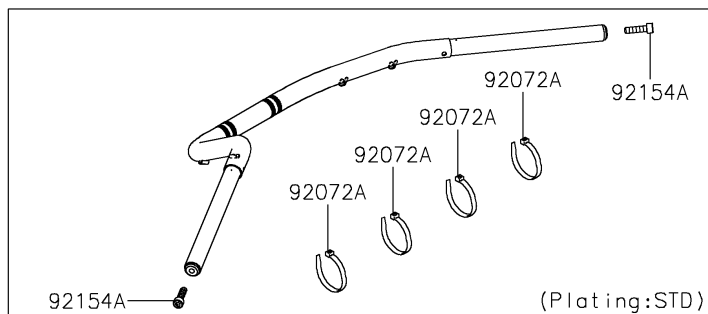


2026 VULCAN® S ABS

PARTS DIAGRAM

Accessory(Handlebar)



2026 VULCAN® S ABS

PARTS LIST

Accessory(Handlebar)

ITEM NAME

PART NUMBER

QUANTITY
