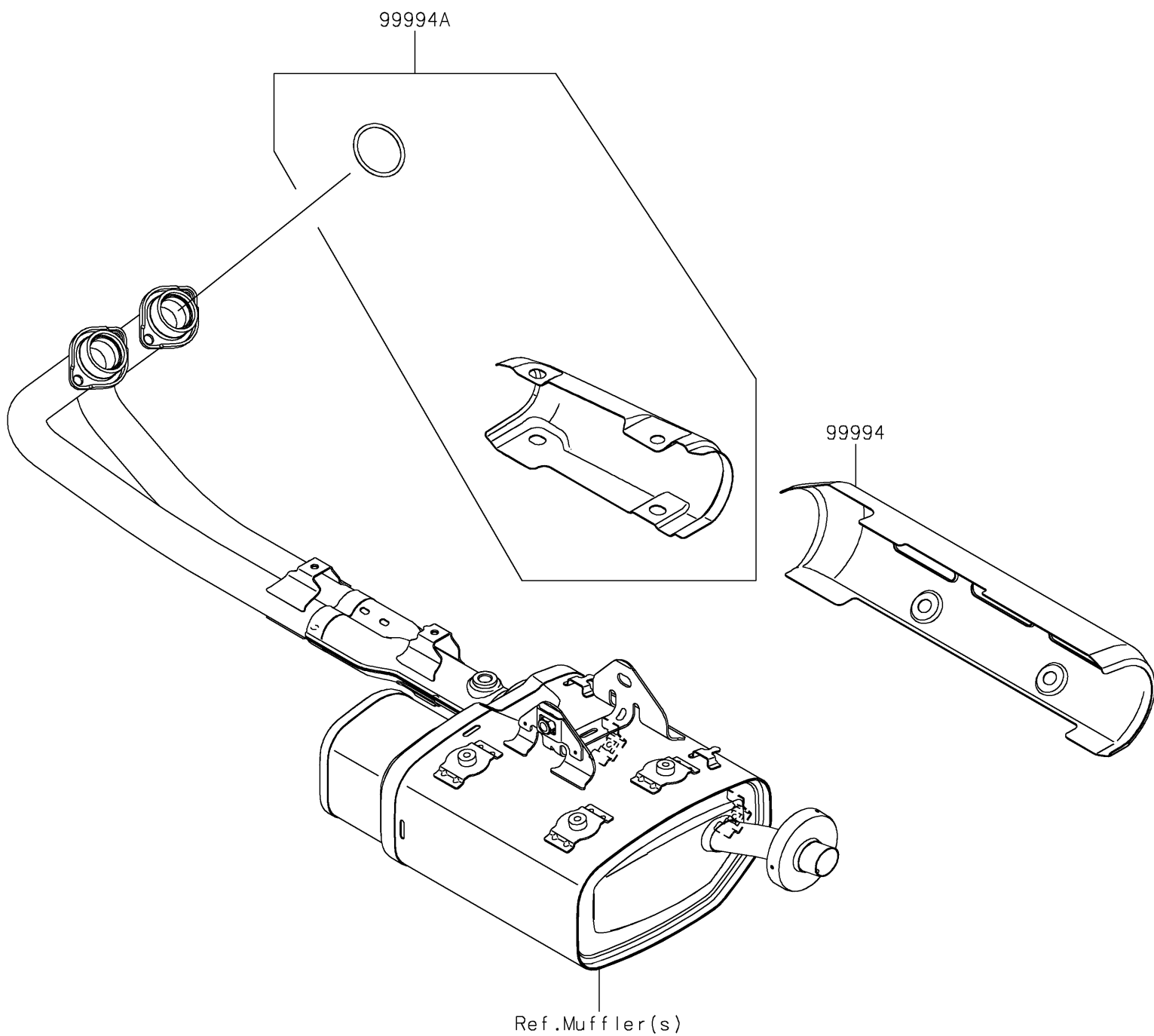


2026 VULCAN® S ABS

PARTS DIAGRAM

Accessory(Muffler Cover)

F2910



2026 VULCAN[®] S ABS

PARTS LIST

Accessory(Muffler Cover)

ITEM NAME	PART NUMBER	QUANTITY
KIT-ACCESSORY,COVER,MUFFLER (Ref # 99994)	99994-0578	1
KIT-ACCESSORY,COVER,EX-PIPE (Ref # 99994A)	99994-0579	1