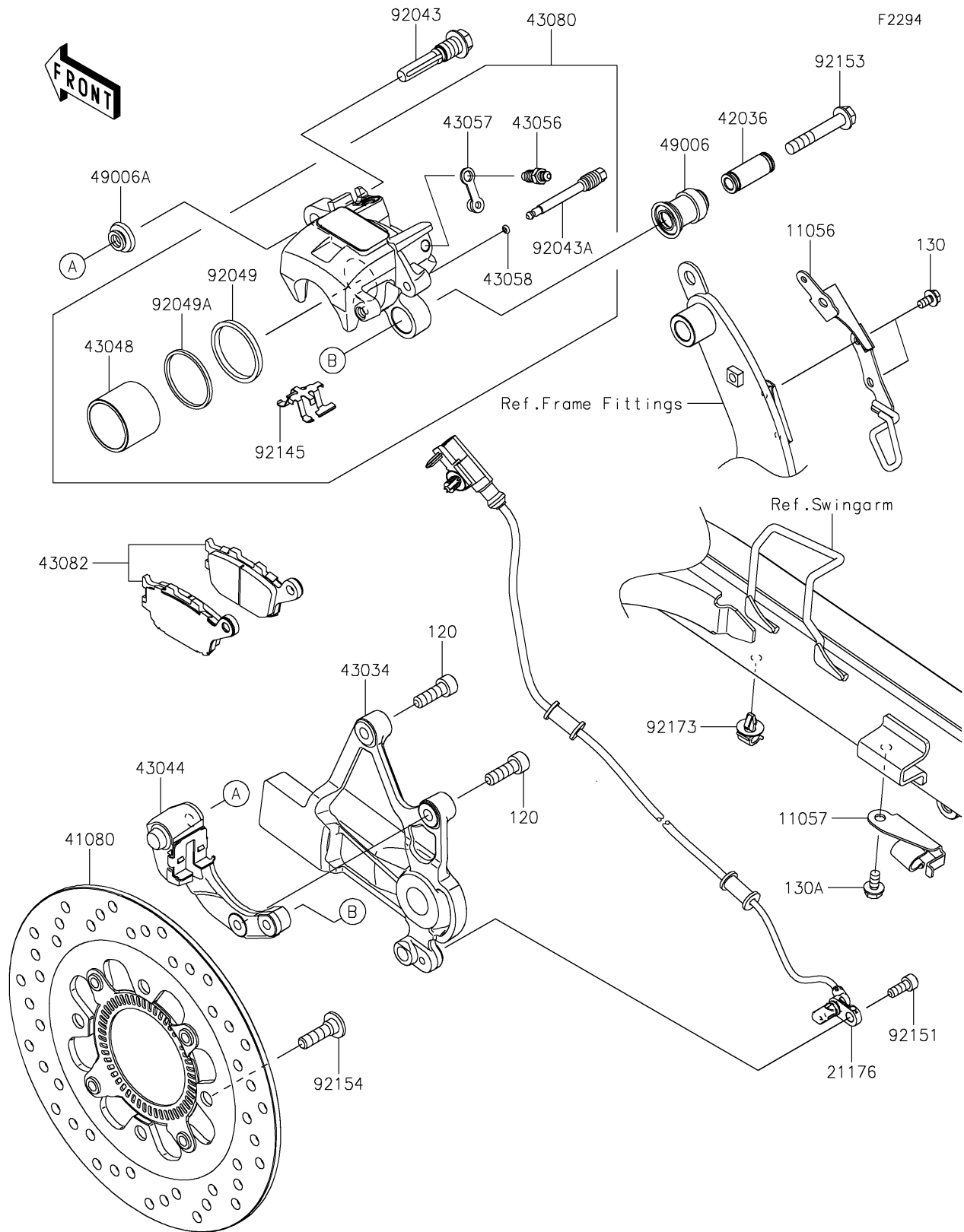


# 2026 VULCAN® S ABS

## PARTS DIAGRAM

### Rear Brake



# 2026 VULCAN® S ABS

## PARTS LIST

### Rear Brake

**ITEM NAME**

**PART NUMBER**

**QUANTITY**

---