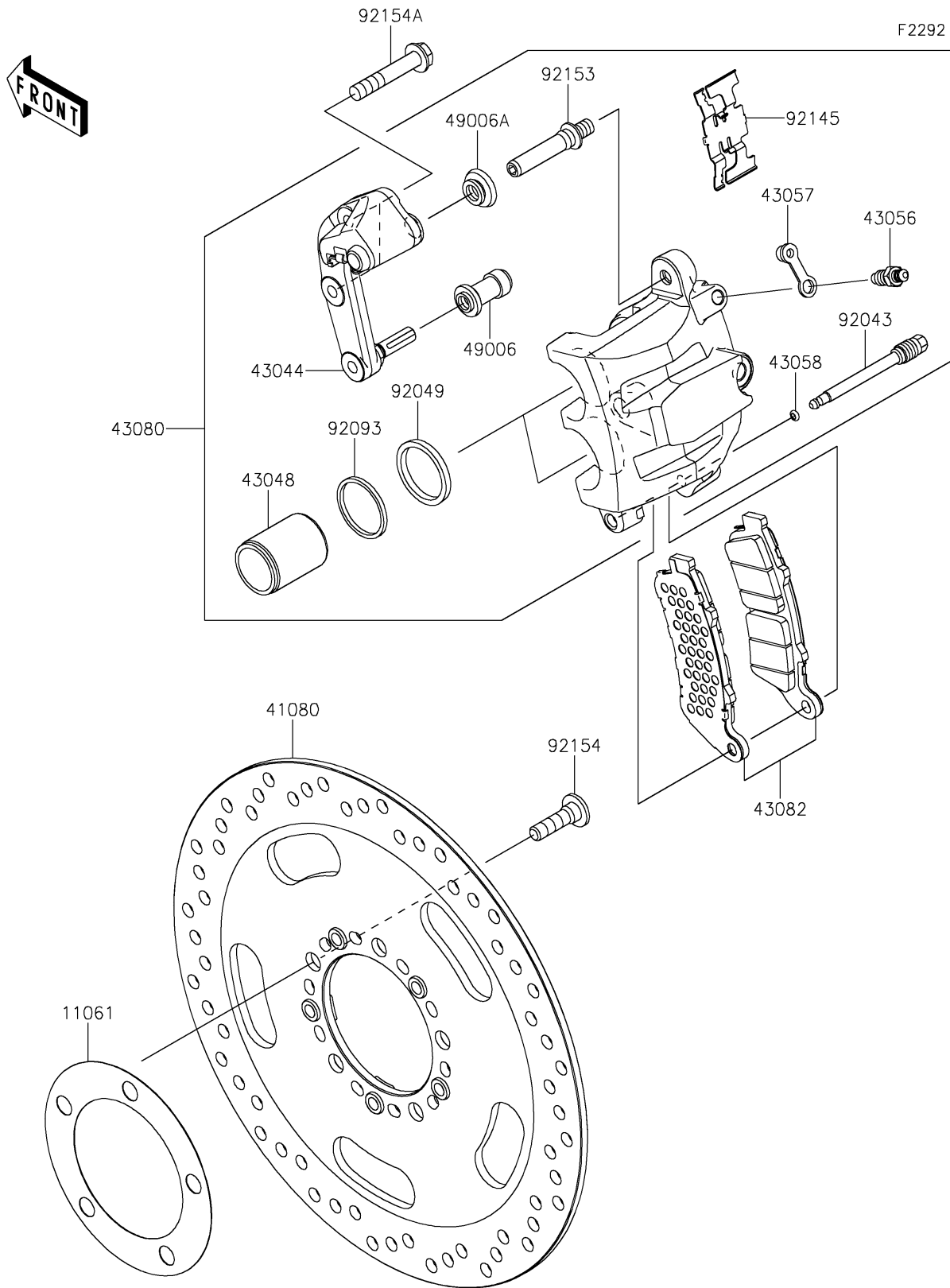


2026 VULCAN® S ABS

PARTS DIAGRAM

Front Brake



2026 VULCAN[®] S ABS

PARTS LIST

Front Brake

ITEM NAME

PART NUMBER

QUANTITY
