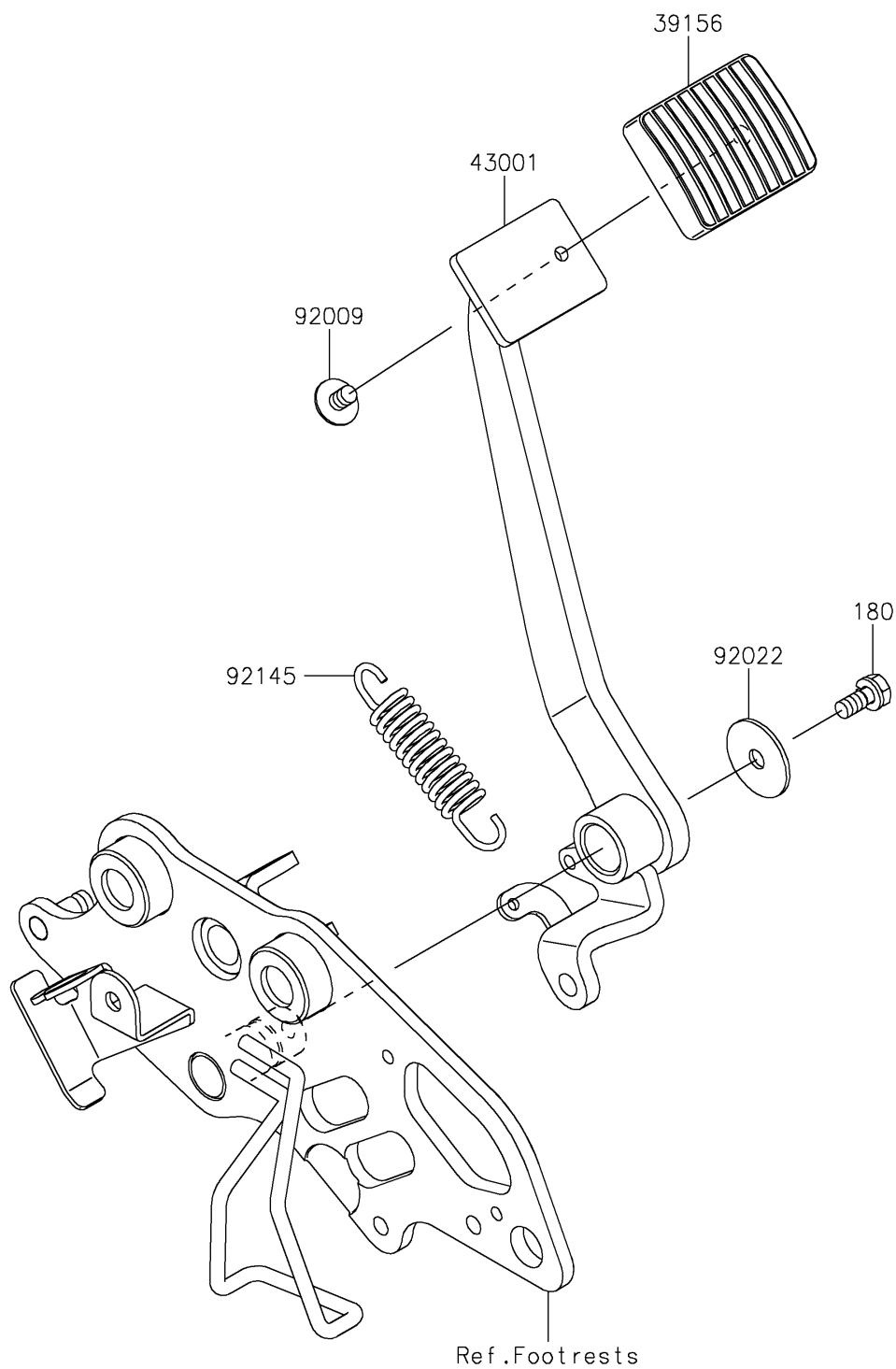


2026 VULCAN[®] S ABS

PARTS DIAGRAM

Brake Pedal/Torque Link

F2260



2026 VULCAN[®] S ABS

PARTS LIST

Brake Pedal/Torque Link

ITEM NAME

PART NUMBER

QUANTITY
