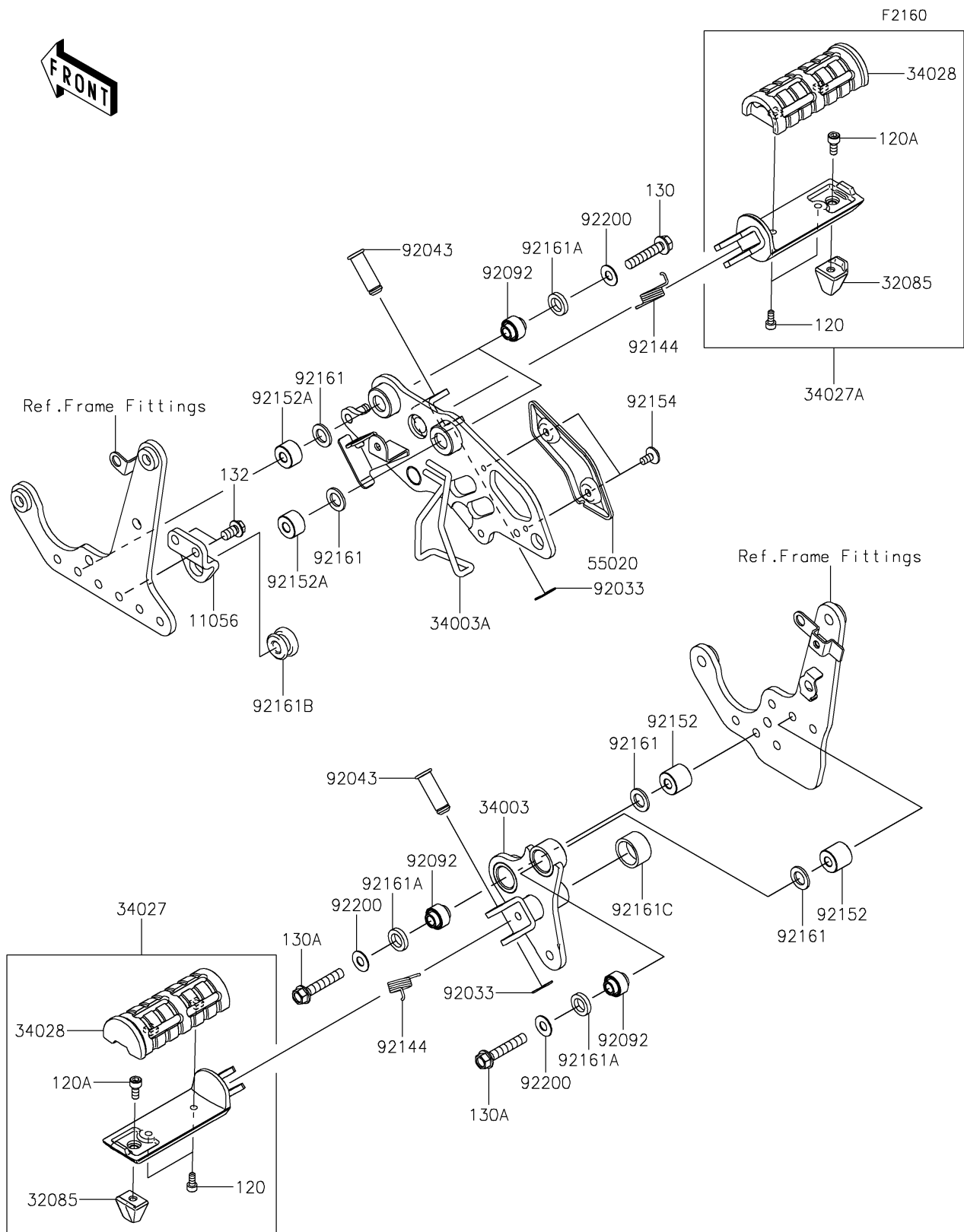


2026 VULCAN® S ABS

PARTS DIAGRAM

Footrests



2026 VULCAN® S ABS

PARTS LIST

Footrests

ITEM NAME

PART NUMBER

QUANTITY
