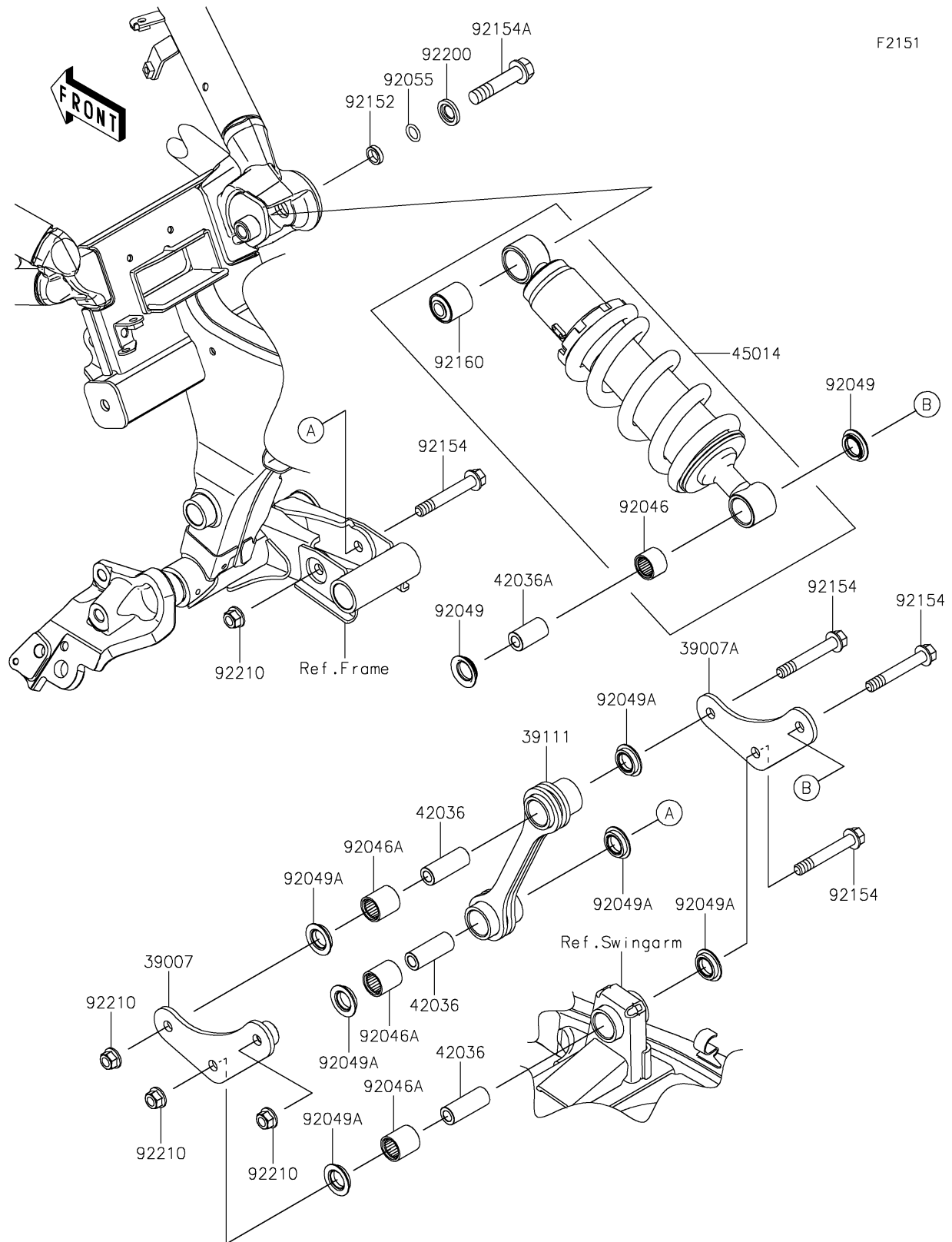


2026 VULCAN® S ABS

PARTS DIAGRAM

Suspension/Shock Absorber



2026 VULCAN[®] S ABS

PARTS LIST

Suspension/Shock Absorber

ITEM NAME

PART NUMBER

QUANTITY
