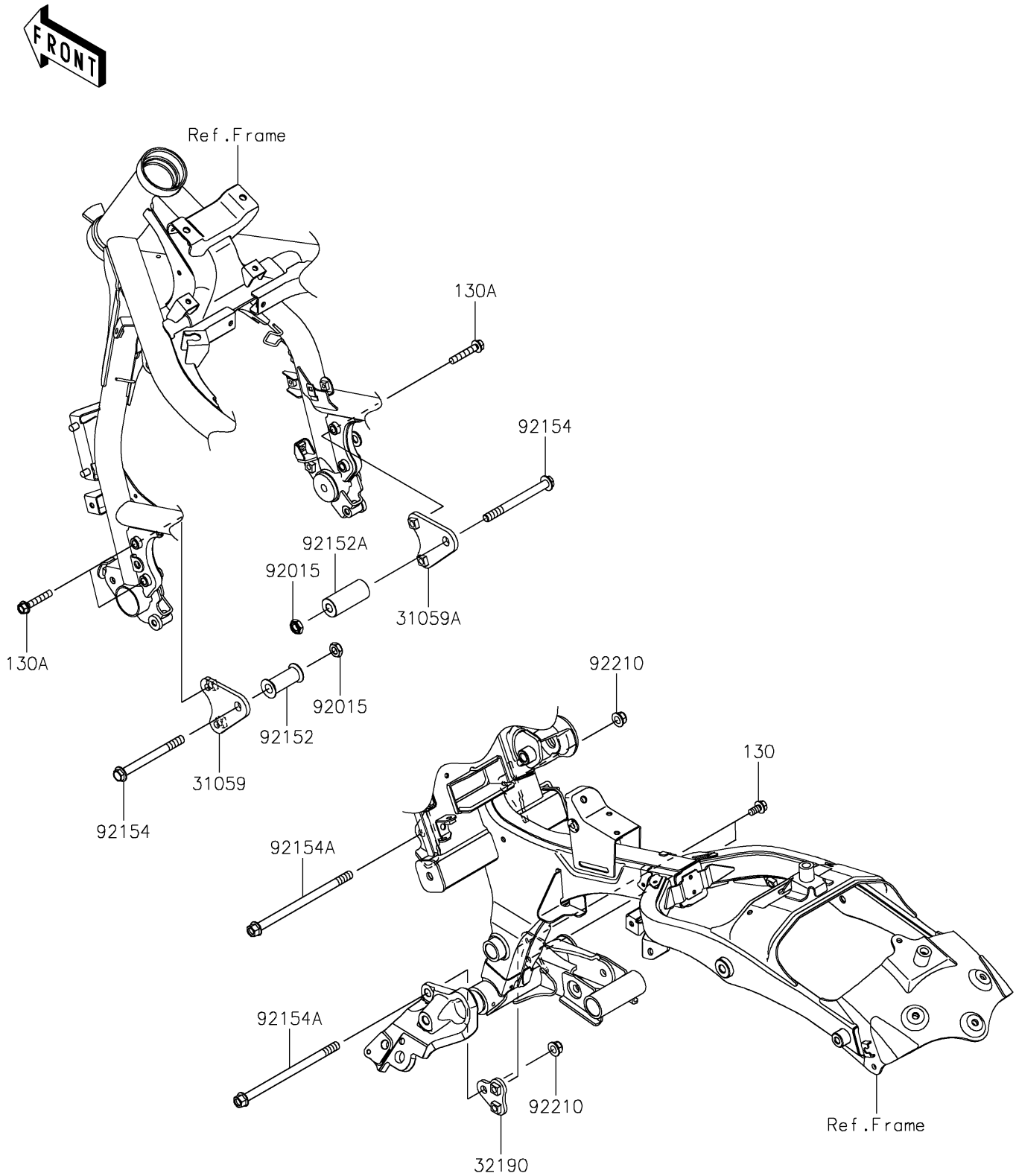


# 2026 VULCAN® S ABS

## PARTS DIAGRAM

### Engine Mount

F2122



# 2026 VULCAN<sup>®</sup> S ABS

## PARTS LIST

### Engine Mount

ITEM NAME	PART NUMBER	QUANTITY
-----------	-------------	----------

---