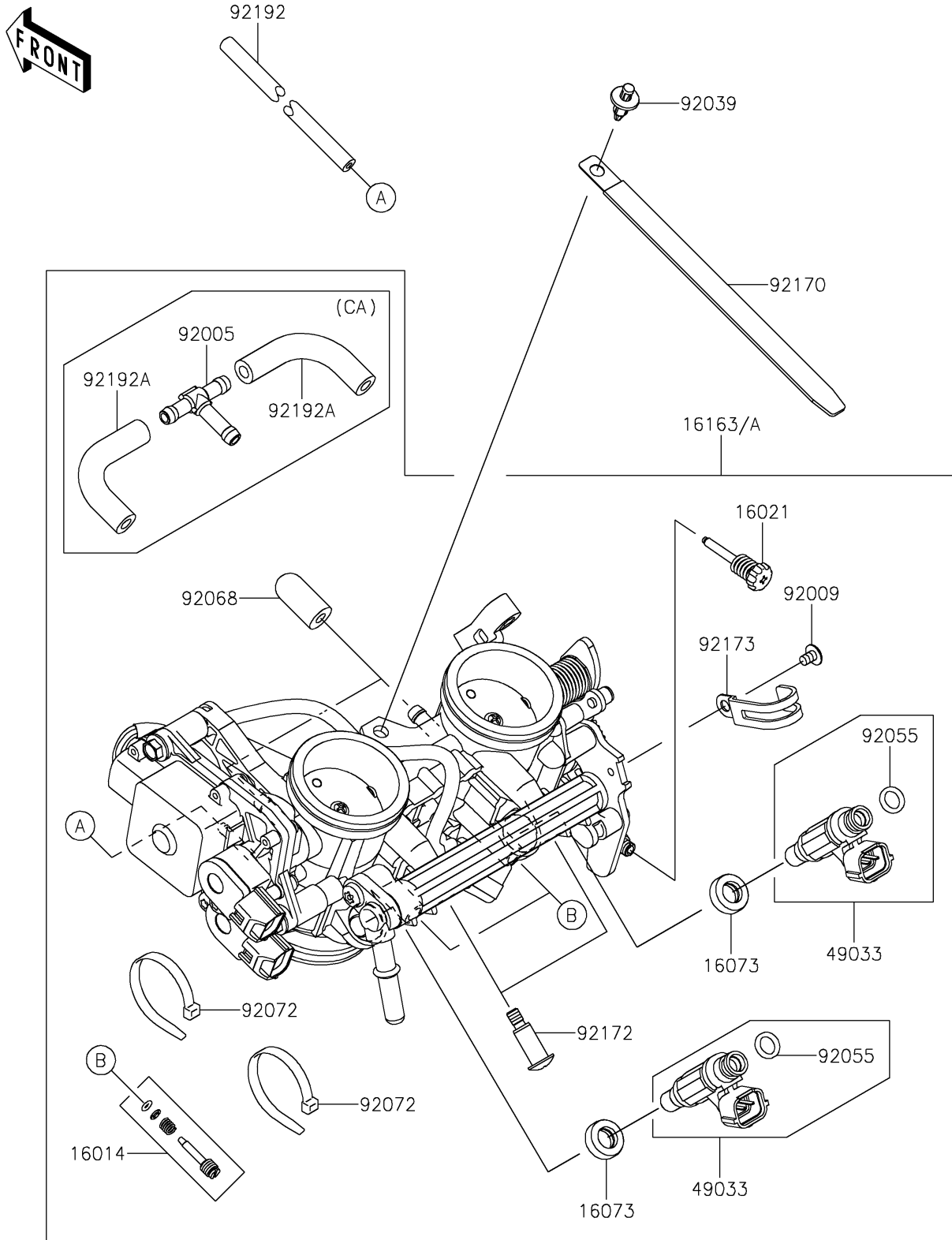


2026 VULCAN® S ABS

PARTS DIAGRAM

Throttle

E1510



2026 VULCAN® S ABS

PARTS LIST

Throttle



ITEM NAME	PART NUMBER	QUANTITY
-----------	-------------	----------
