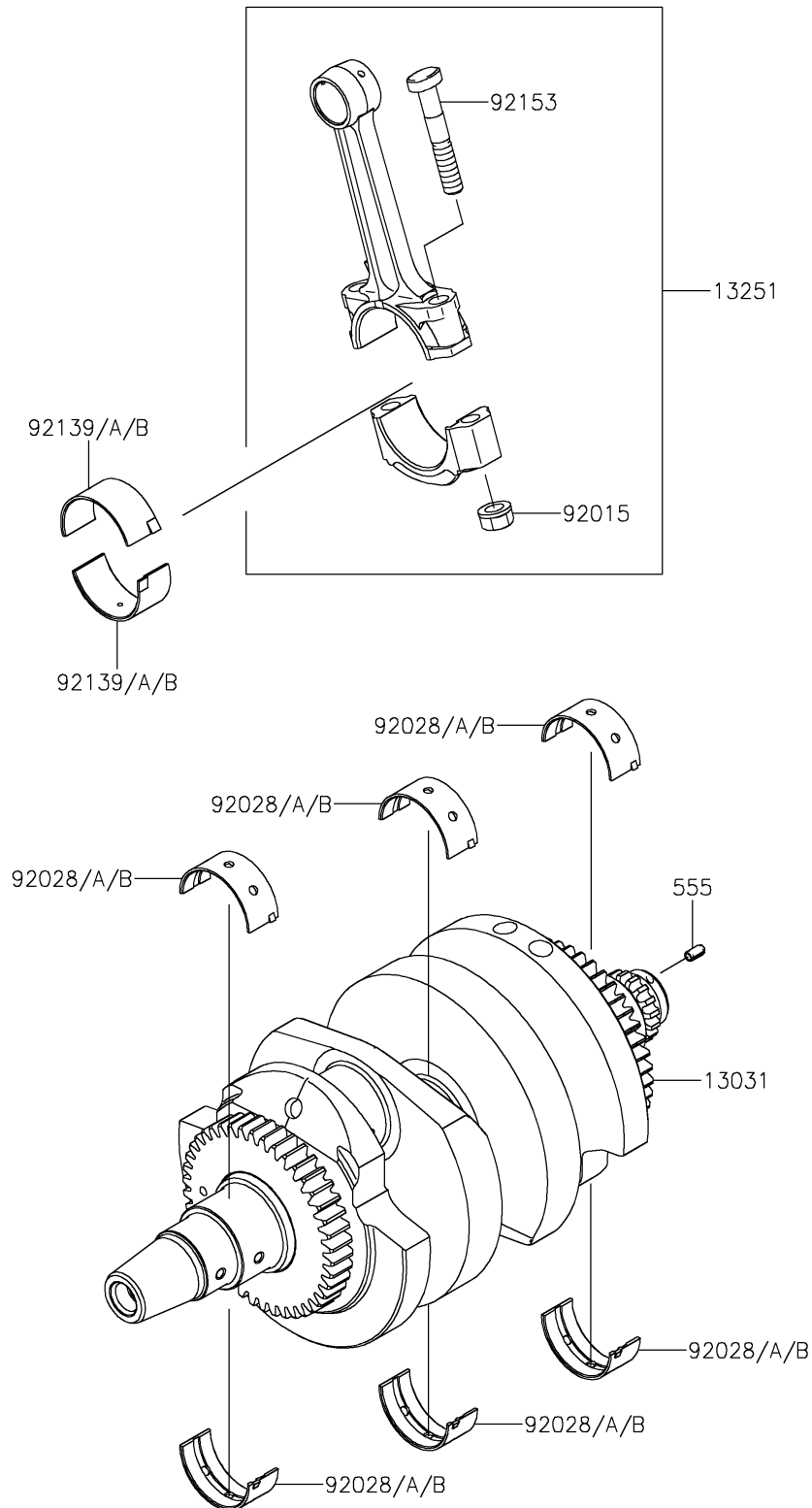


2026 VULCAN® S ABS

PARTS DIAGRAM

Crankshaft

E1321



2026 VULCAN[®] S ABS

PARTS LIST

Crankshaft

ITEM NAME

PART NUMBER

QUANTITY
