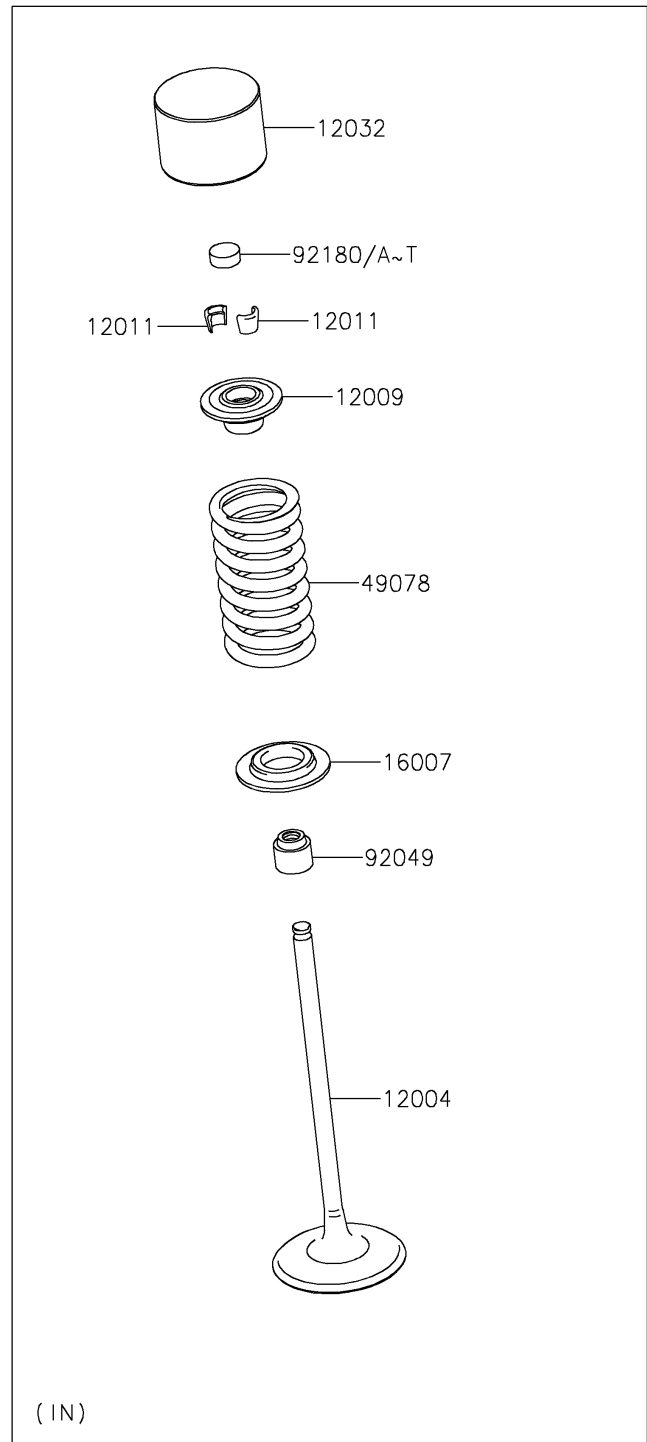
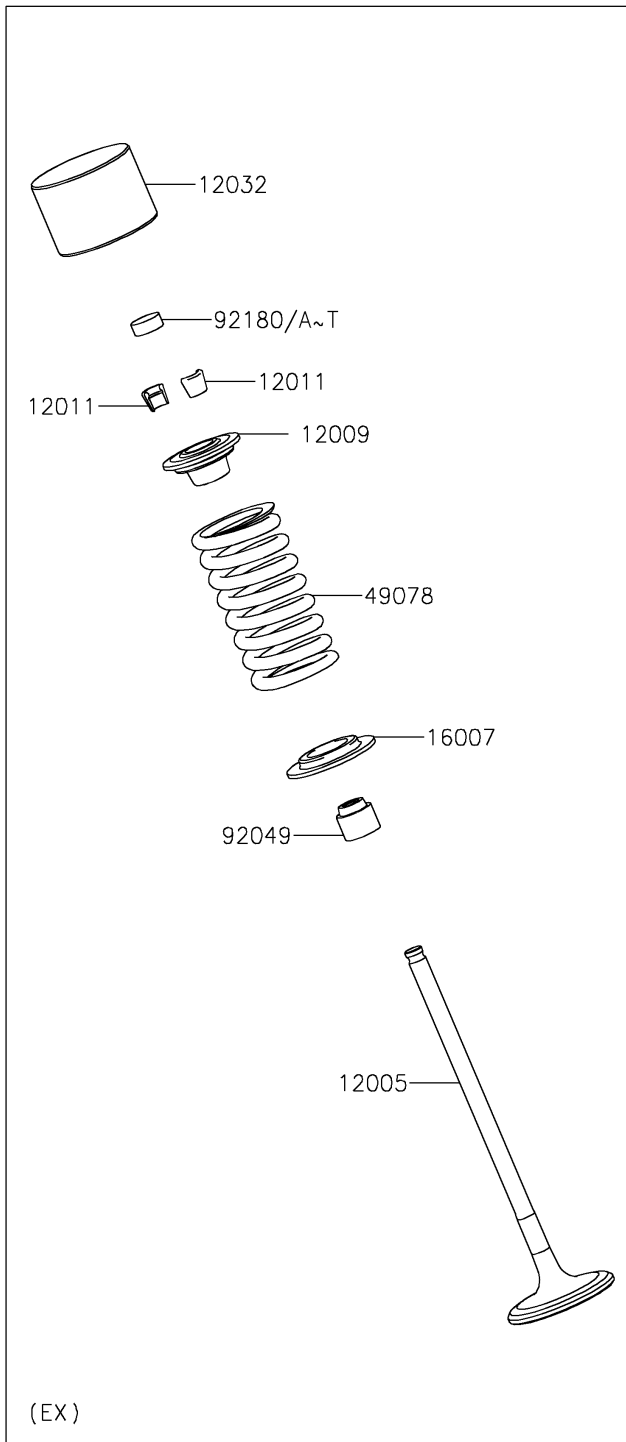


2026 VULCAN® S ABS

PARTS DIAGRAM

Valve(s)

E1210



2026 VULCAN[®] S ABS

PARTS LIST

Valve(s)

ITEM NAME

PART NUMBER

QUANTITY
