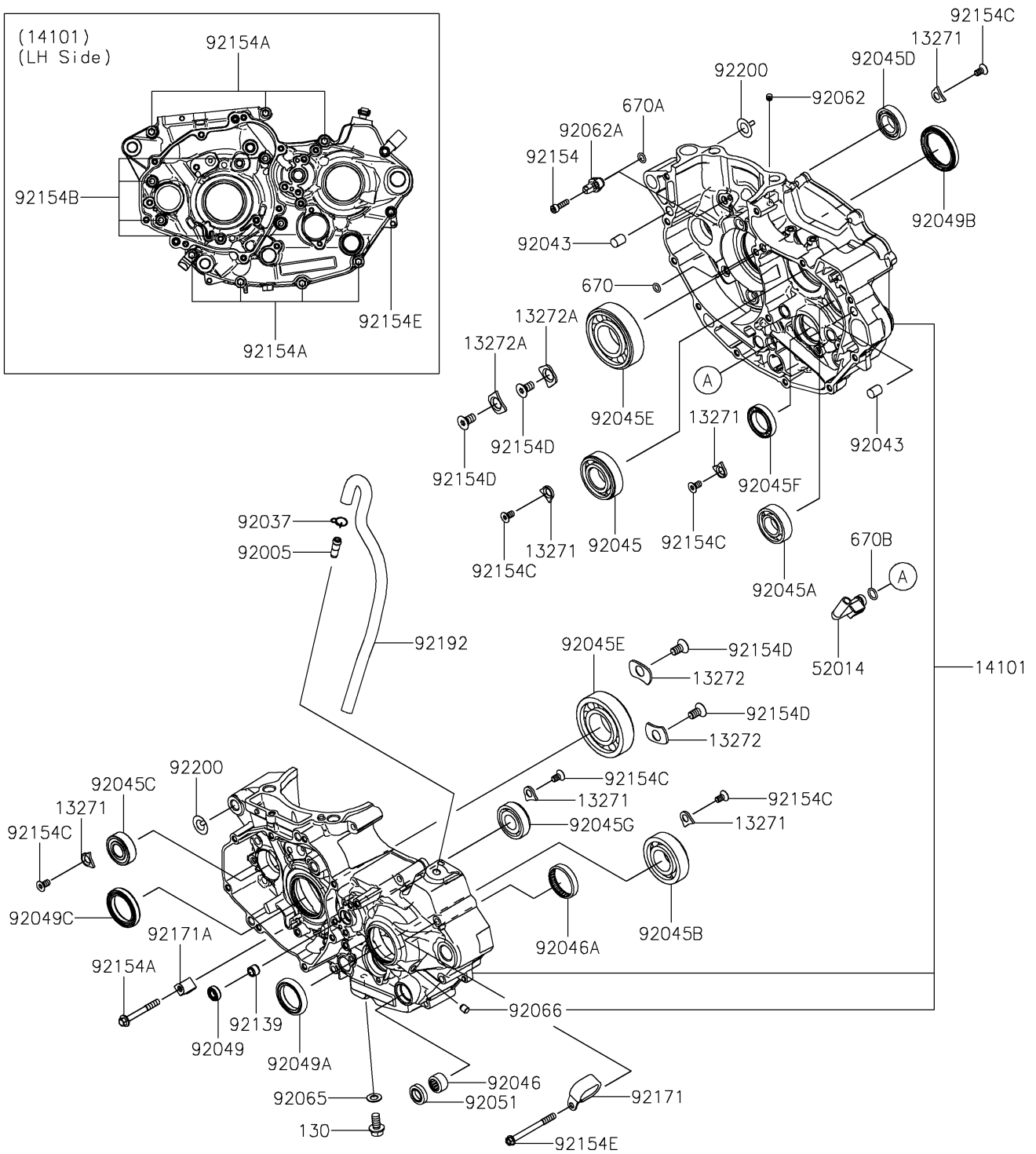
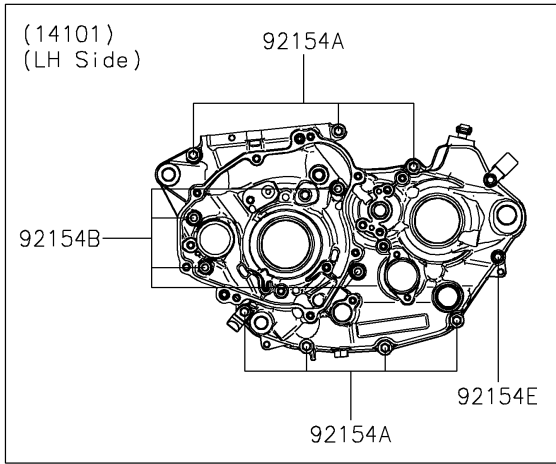


2025 KX™ 450SR

PARTS DIAGRAM

Crankcase

E1411



2025 KX™ 450SR

PARTS LIST

Crankcase

ITEM NAME	PART NUMBER	QUANTITY
PLATE (Ref # 13271)	13271-0345	6
PLATE (Ref # 13272)	13272-4415	2
PLATE (Ref # 13272A)	13272-7020	2
SET-CRANKCASE (Ref # 14101)	14101-0025	1
ELBOW (Ref # 52014)	52014-0011	1
FITTING (Ref # 92005)	92005-1369	1
CLAMP,TUBE (Ref # 92037)	92037-1972	1
PIN,10X14 (Ref # 92043)	92043-1506	2
BEARING-BALL,25X52X15 (Ref # 92045)	92045-0035	1
BEARING-BALL,20X42X12 (Ref # 92045A)	92045-0036	1
BEARING-BALL (Ref # 92045B)	92045-0062	1
BEARING-BALL,6202RSSH2C3 (Ref # 92045C)	92045-0976	1
BEARING-BALL,6904DUC3 (Ref # 92045D)	92045-0979	1
BEARING-BALL,32X72X19 (Ref # 92045E)	92045-0994	2
BEARING-BALL,6805JRZ (Ref # 92045F)	92045-1432	1
BEARING-BALL,3TM-5X0391LUC3 (Ref # 92045G)	92045-1457	1
BEARING-NEEDLE,HK1312 (Ref # 92046)	92046-1148	1
BEARING-NEEDLE,7E-HKS33X38X8 (Ref # 92046A)	92046-1221	1
SEAL-OIL (Ref # 92049)	92049-0808	1
SEAL-OIL (Ref # 92049A)	92049-0809	1
SEAL-OIL,40X52X7 (Ref # 92049B)	92049-0879	1
SEAL-OIL,TC32457 (Ref # 92049C)	92049-1577	1
SEAL-OIL,TB13225.5 (Ref # 92051)	92051-005	1
NOZZLE (Ref # 92062)	92062-0049	1
NOZZLE (Ref # 92062A)	92062-0583	1
GASKET,8.5X16X1 (Ref # 92065)	92065-023	1
PLUG,OIL LINE,7.2X8 (Ref # 92066)	92066-1012	1
BUSHING (Ref # 92139)	92139-0907	1
BOLT,SOCKET,5X18 (Ref # 92154)	92154-0038	1

2025 KX™ 450SR

PARTS LIST

Crankcase

ITEM NAME	PART NUMBER	QUANTITY
BOLT,FLANGED,6X50 (Ref # 92154A)	92154-0526	7
BOLT,SOCKET,7X60 (Ref # 92154B)	92154-0527	4
BOLT,TORX (Ref # 92154C)	92154-1621	6
BOLT,TORX,8X16 (Ref # 92154D)	92154-1733	4
BOLT,FLANGED,6X65 (Ref # 92154E)	92154-2980	2
CLAMP (Ref # 92171)	92171-0594	1
CLAMP (Ref # 92171A)	92171-0761	1
TUBE,BREATHER (Ref # 92192)	92192-1886	1
WASHER (Ref # 92200)	92200-2490	2
BOLT-FLANGED,8X16 (Ref # 130)	130AA0816	1
O RING,7MM (Ref # 670)	670D1507	1
O RING,8MM (Ref # 670A)	670D1508	1
O RING,10MM (Ref # 670B)	670D1510	1