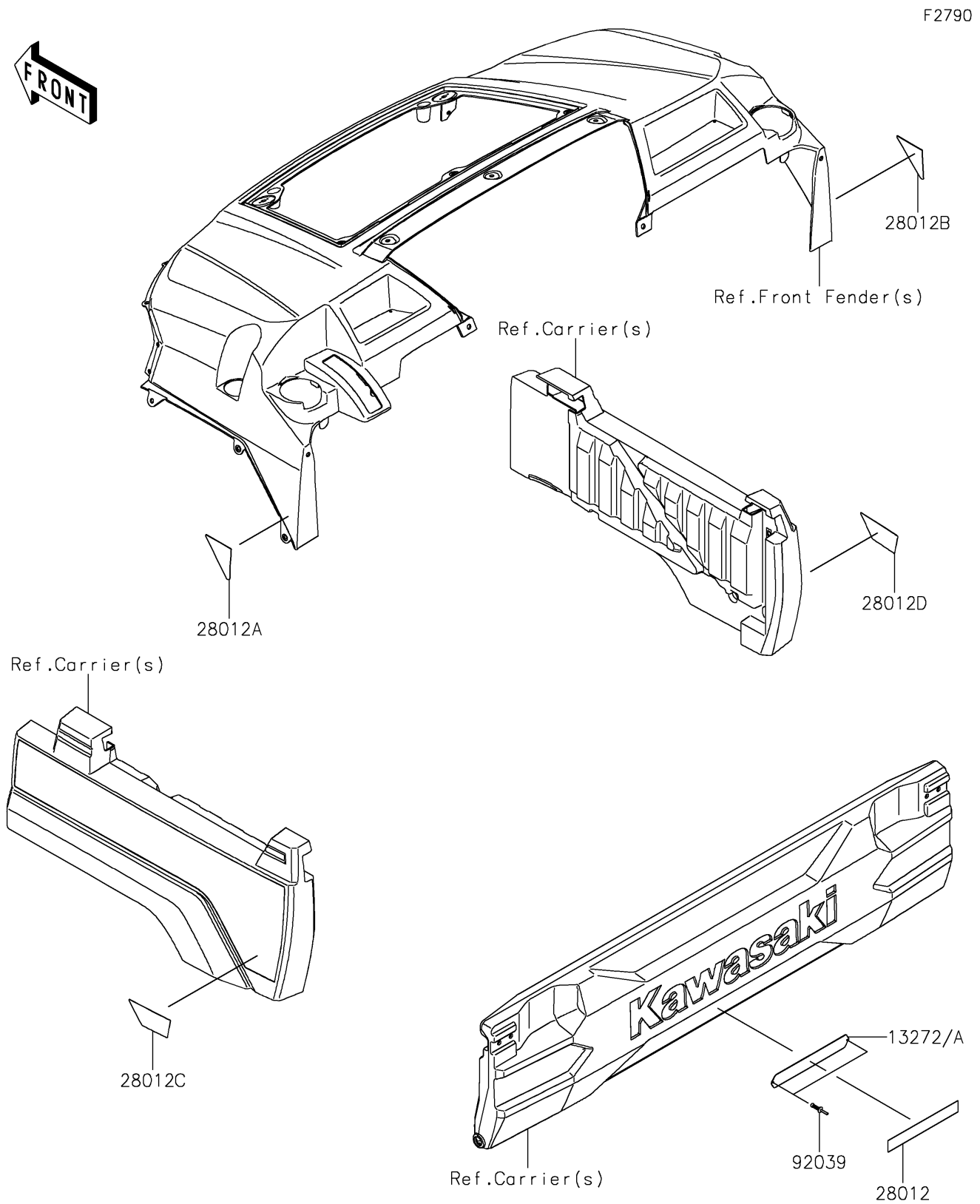


# 2026 MULE PRO-DXT™ EPS

## PARTS DIAGRAM

### Reflectors



# 2026 MULE PRO-DXT™ EPS

## PARTS LIST

### Reflectors



**ITEM NAME**

**PART NUMBER**

**QUANTITY**

---