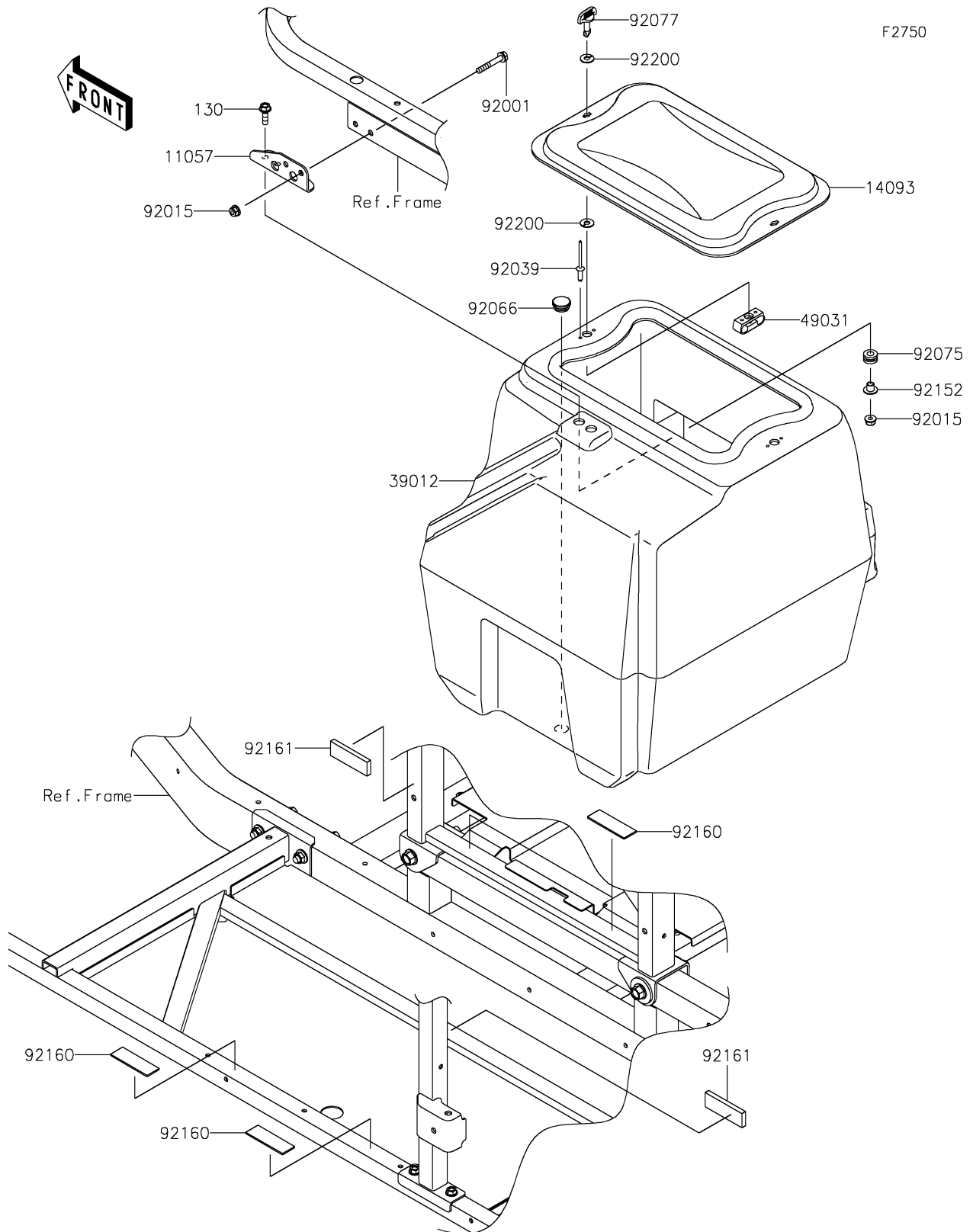


# 2026 MULE PRO-DXT

## PARTS DIAGRAM

Other



# 2026 MULE PRO-DXT

## PARTS LIST

Other

**ITEM NAME**

**PART NUMBER**

**QUANTITY**

---