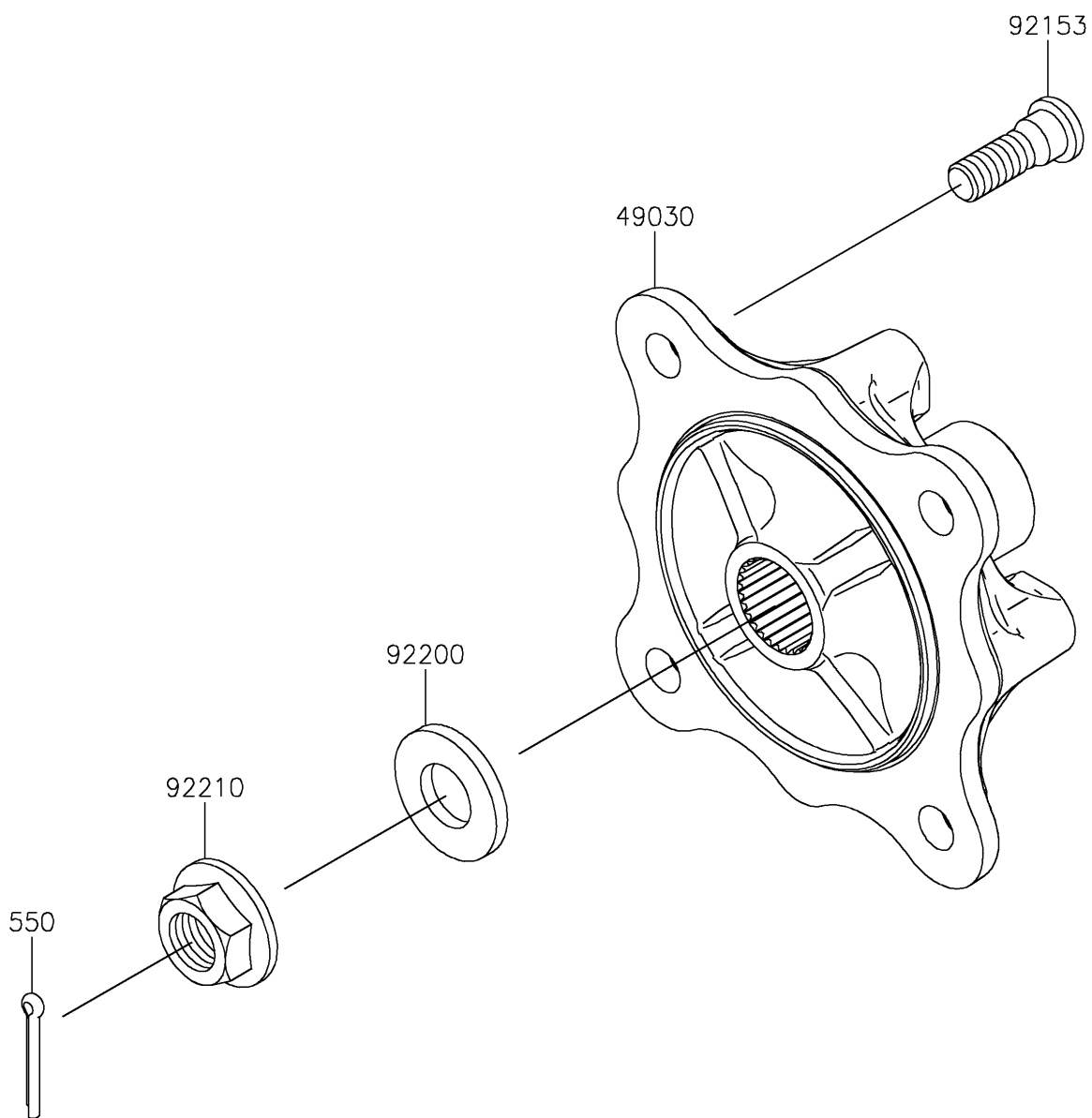


# 2026 MULE PRO-DXT™ EPS

## PARTS DIAGRAM

### Rear Hubs/Brakes

F2240



# 2026 MULE PRO-DXT™ EPS

## PARTS LIST

### Rear Hubs/Brakes

**ITEM NAME**

**PART NUMBER**

**QUANTITY**

---