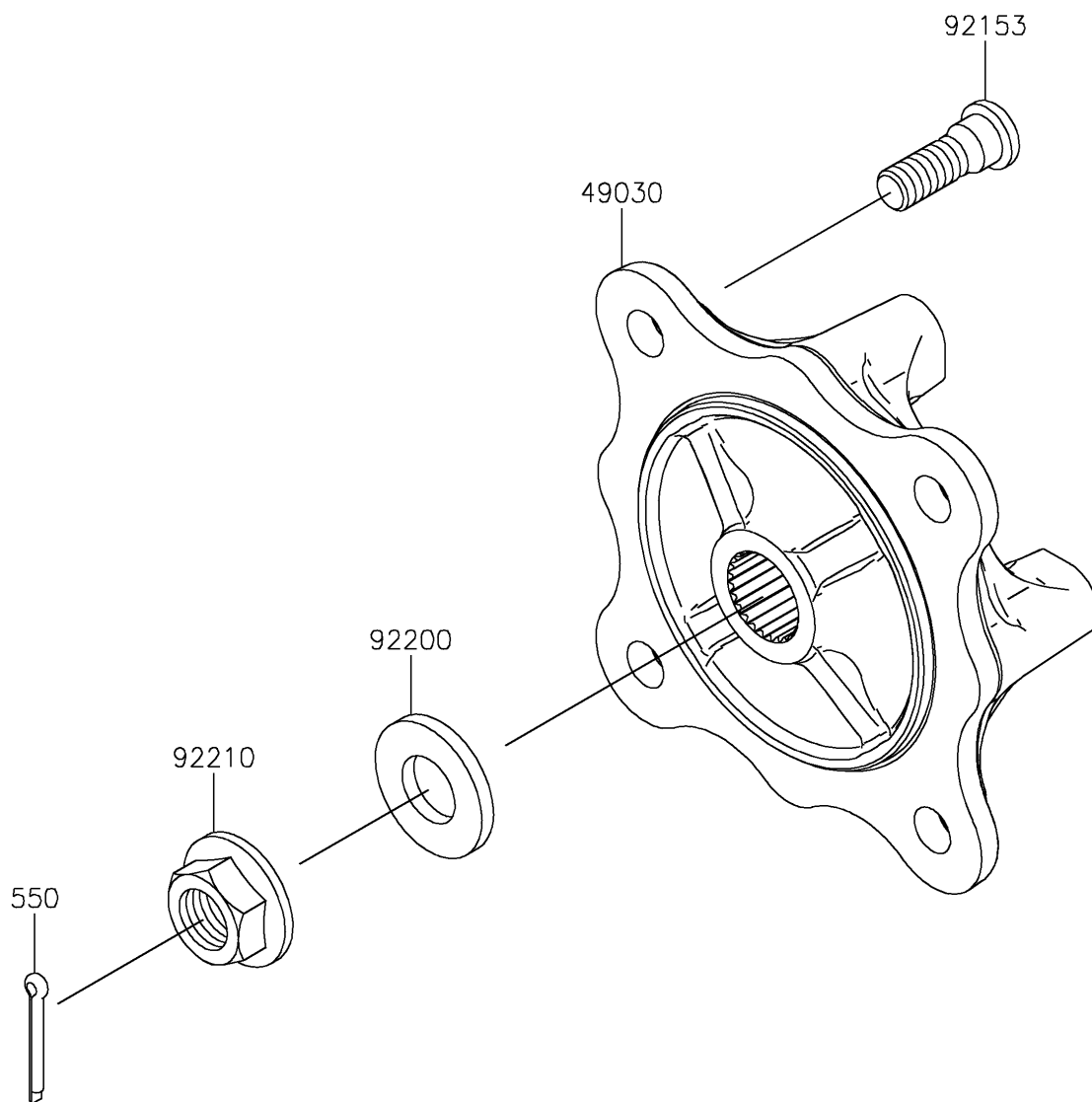


# 2026 MULE PRO-DXT

## PARTS DIAGRAM

### Front Hubs/Brakes

F2230



# 2026 MULE PRO-DXT

## PARTS LIST

### Front Hubs/Brakes



ITEM NAME	PART NUMBER	QUANTITY
-----------	-------------	----------

---