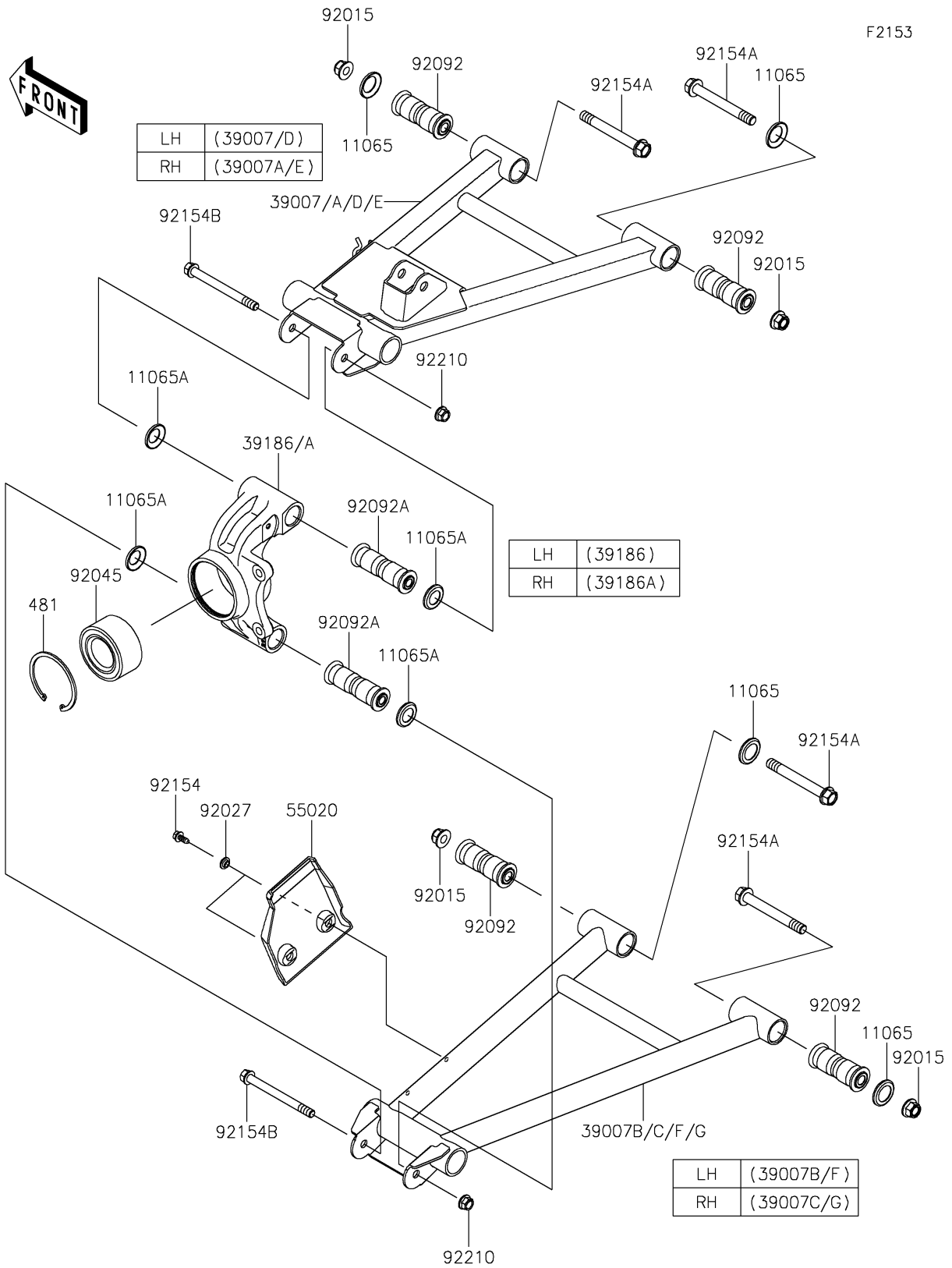


# 2026 MULE PRO-DXT

## PARTS DIAGRAM

### Rear Suspension



# 2026 MULE PRO-DXT

## PARTS LIST

### Rear Suspension

**ITEM NAME**

**PART NUMBER**

**QUANTITY**

---