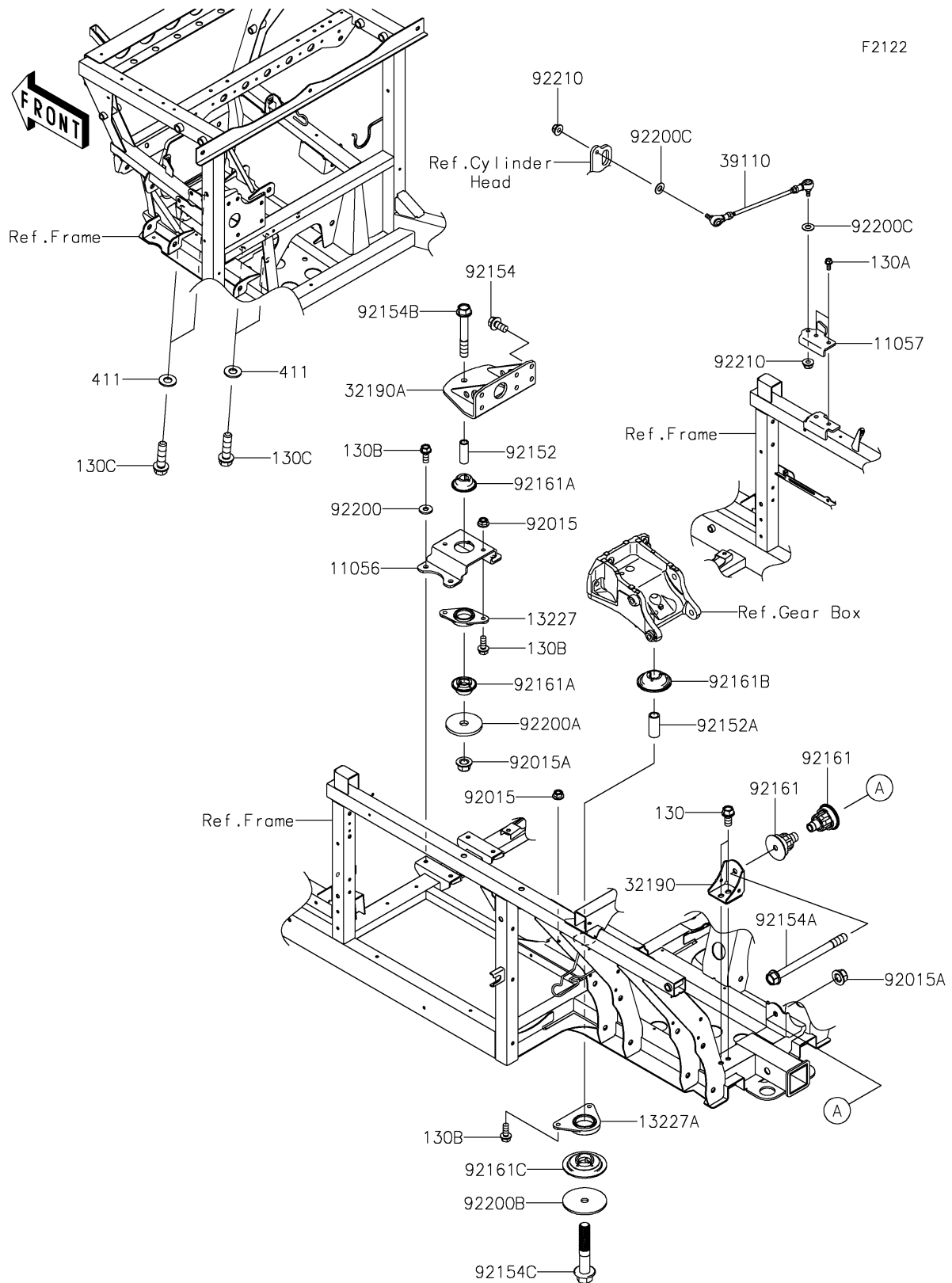


# 2026 MULE PRO-DXT

## PARTS DIAGRAM

### Engine Mount



# 2026 MULE PRO-DXT

## PARTS LIST

### Engine Mount



ITEM NAME	PART NUMBER	QUANTITY
-----------	-------------	----------

---