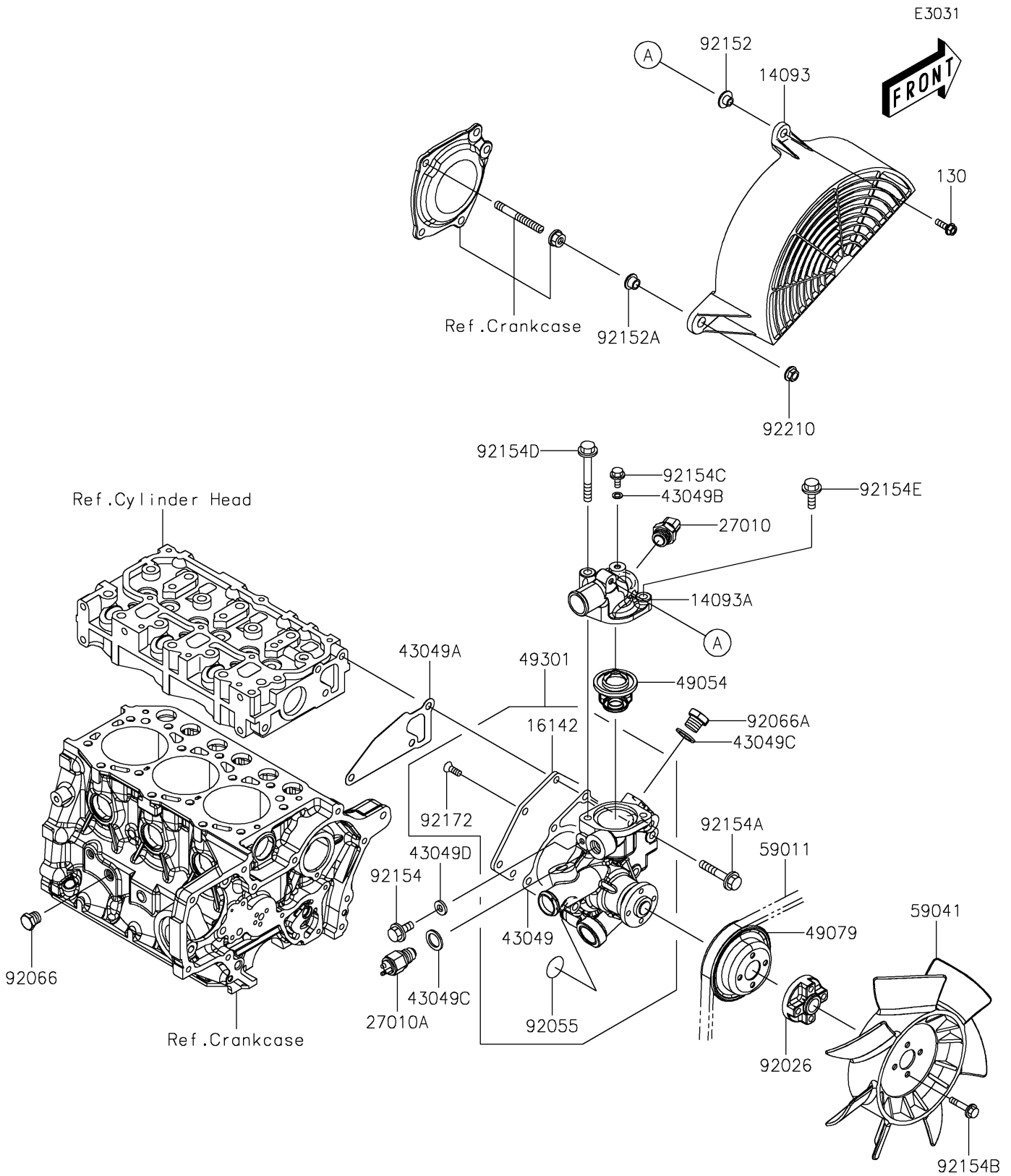


# 2026 MULE PRO-DXT

## PARTS DIAGRAM

### Water Pump



# 2026 MULE PRO-DXT

## PARTS LIST

### Water Pump



ITEM NAME	PART NUMBER	QUANTITY
-----------	-------------	----------

---