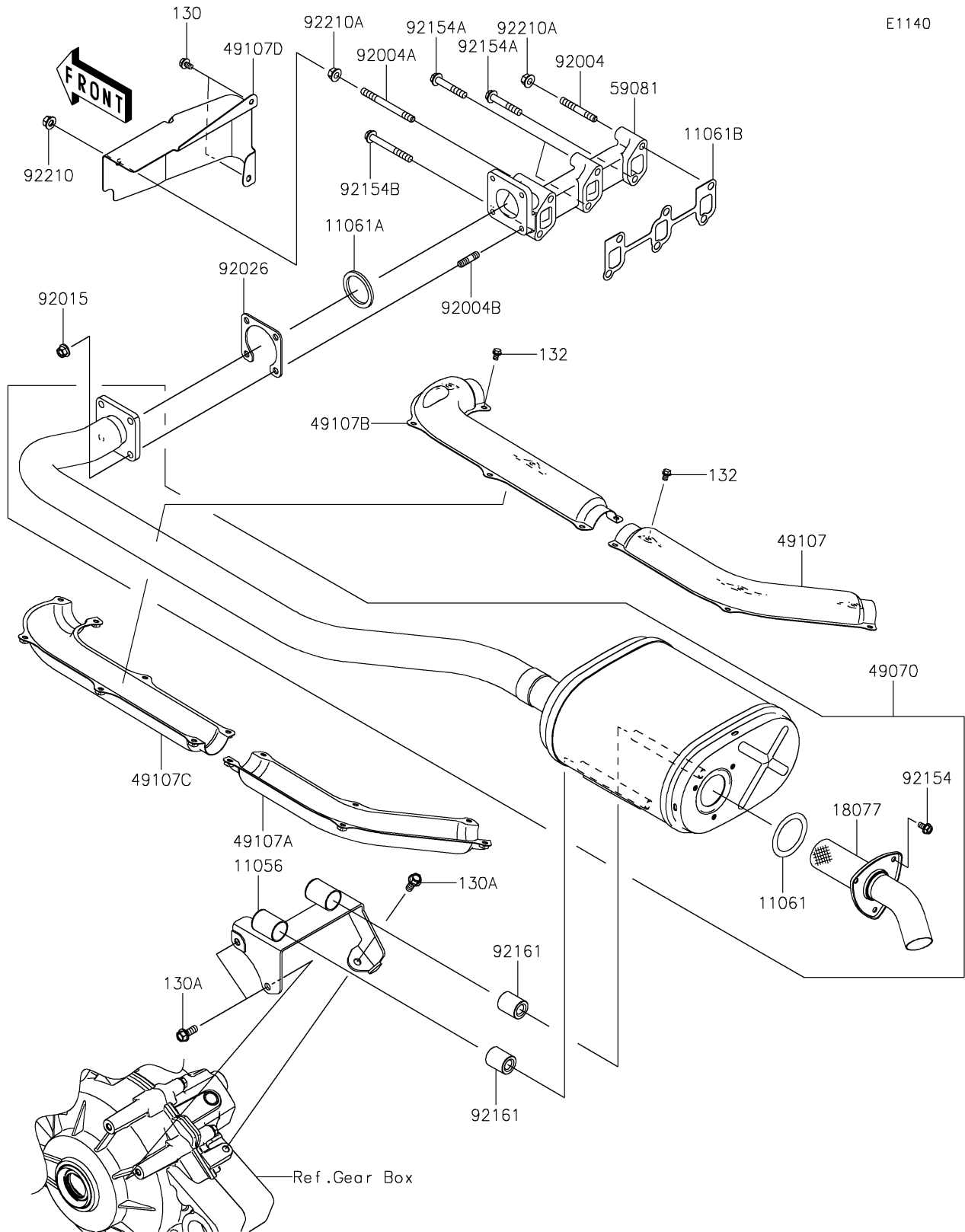


# 2026 MULE PRO-DXT

## PARTS DIAGRAM

### Muffler(s)

E1140



# 2026 MULE PRO-DXT

## PARTS LIST

Muffler(s)



ITEM NAME	PART NUMBER	QUANTITY
-----------	-------------	----------

---