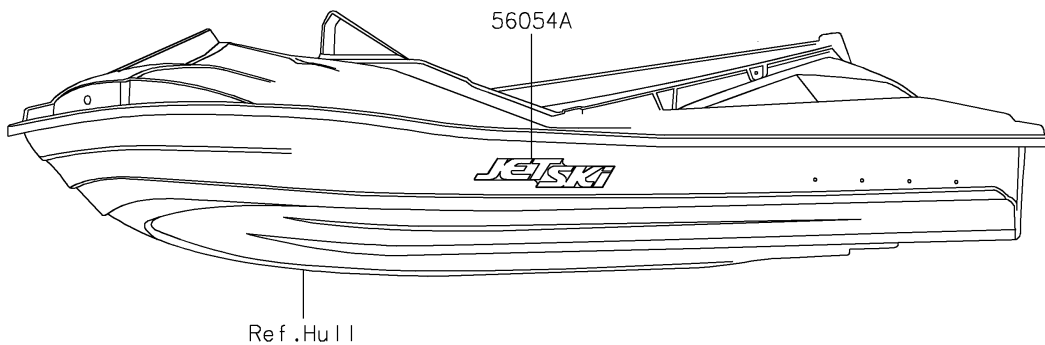
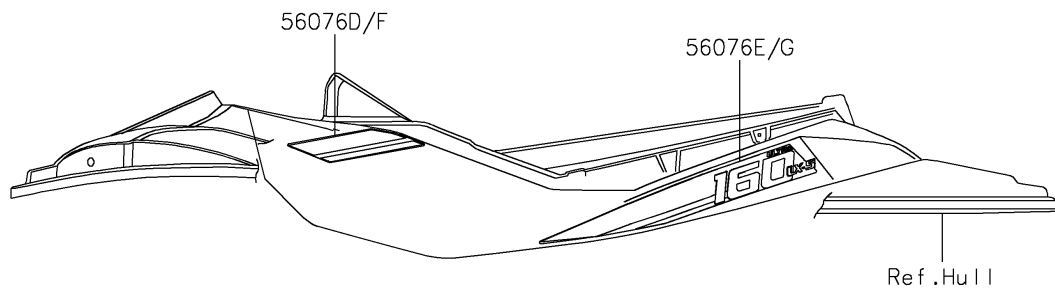
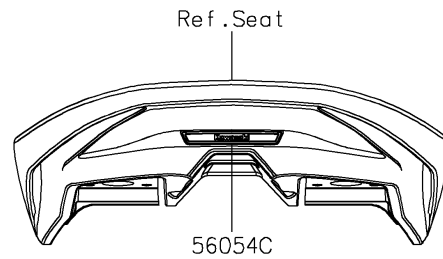
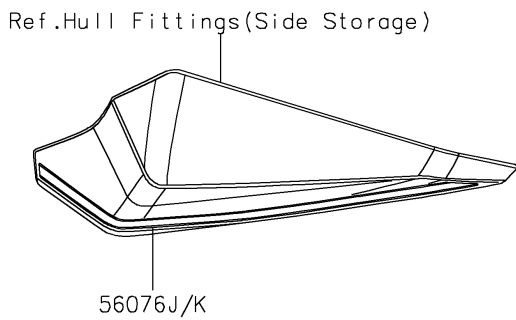
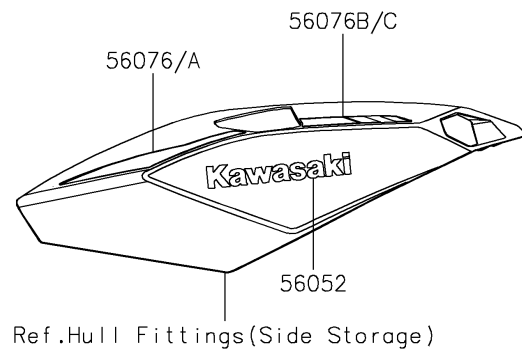
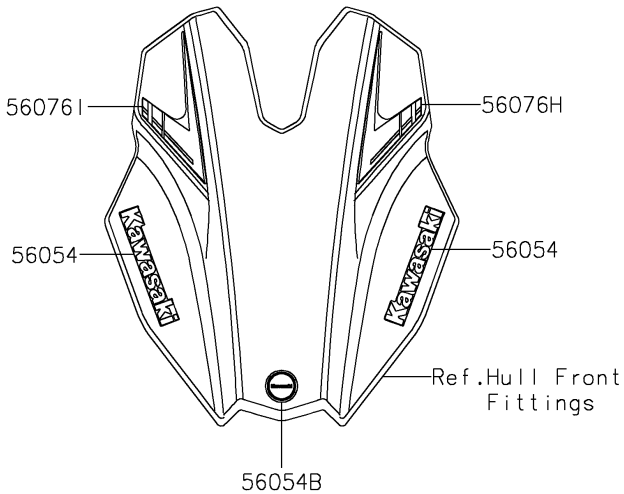


2024 JET SKI® ULTRA® 160LX-S

PARTS DIAGRAM

Decals(BRSNN)

F3880



2024 JET SKI® ULTRA® 160LX-S



PARTS LIST Decals(BRSNN)

ITEM NAME	PART NUMBER	QUANTITY
-----------	-------------	----------
