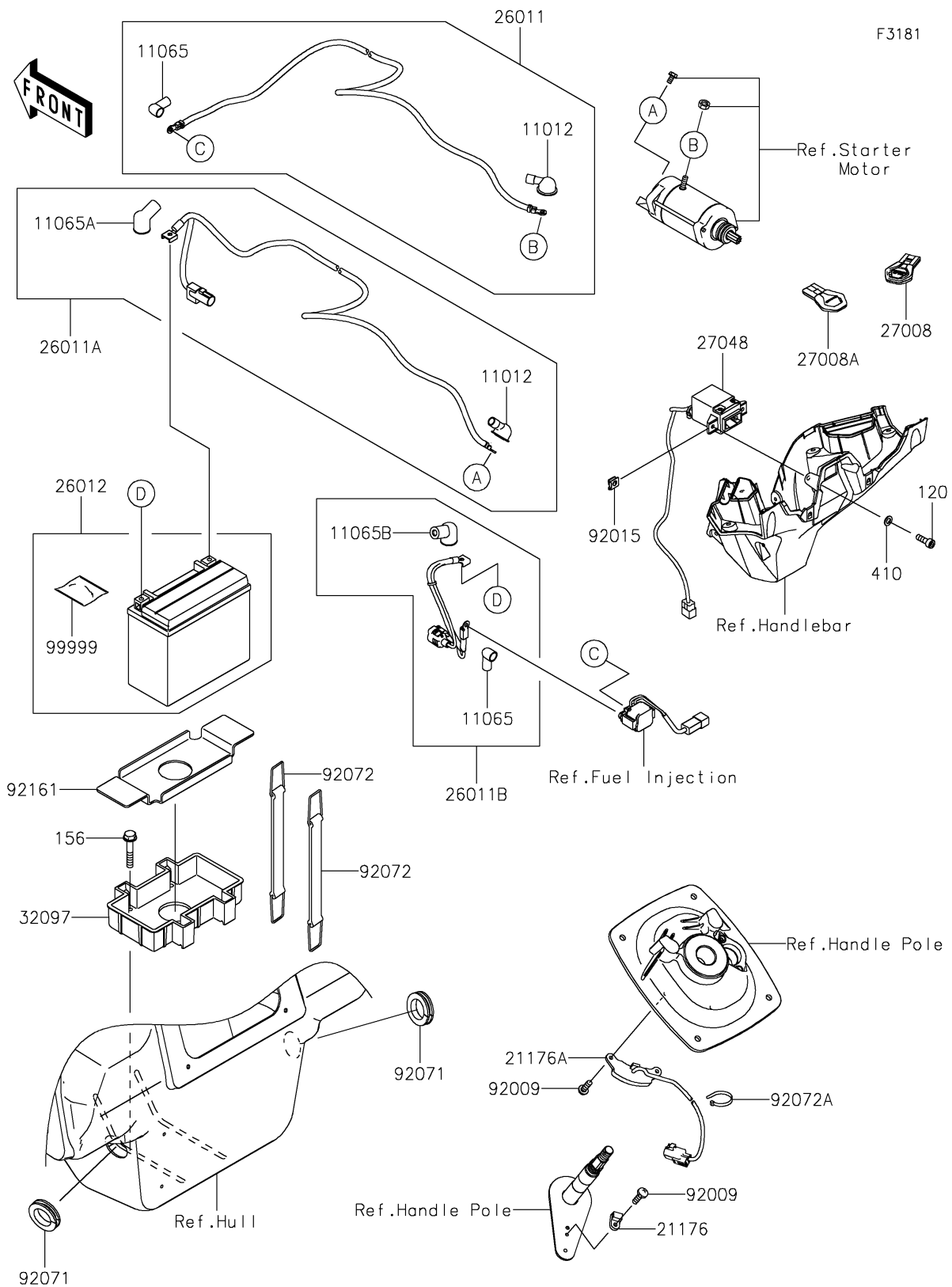


# 2024 JET SKI® ULTRA® 160LX-S

## PARTS DIAGRAM Electrical Equipment



# 2024 JET SKI® ULTRA® 160LX-S



## PARTS LIST

### Electrical Equipment

ITEM NAME	PART NUMBER	QUANTITY
-----------	-------------	----------

---